

**EDVEX** DOOR ENTRY

**VIEW**   
IoT smart life

**Roxie.**  
New video  
entrance panel.  
Robust, versatile  
and sophisticated



## Welcome Roxie.

The new outdoor entrance panel for call management and access control: robust, versatile and sophisticated. Vimar's range of video door entry systems has been extended, offering an increasingly comprehensive line-up of outdoor stations to communicate easily, efficiently and safely.



## Roxie. Ideal for small and medium-sized installation scenarios.

**Roxie, the new video entrance panel is versatile.** It is the ideal solution for installation in small and medium-sized home environments, with the possibility of calling 1, 2 and 4 homes and, thanks to the access control function, it can be installed in small accommodation facilities, sports amenities or offices, ensuring entrance control.

### RESIDENTIAL



### SMALL ACCOMMODATION FACILITIES AND SERVICE INDUSTRY WITH ACCESS CONTROL



## Stylish, understated design. More robust and versatile.

Roxie is modern, with understated silhouettes, and it stands out for its elegance and robustness. Made of zamak, it was built to stand the test of time and withstand all weather. It features innovative, state-of-the-art technology which makes it a simple yet high-quality choice.

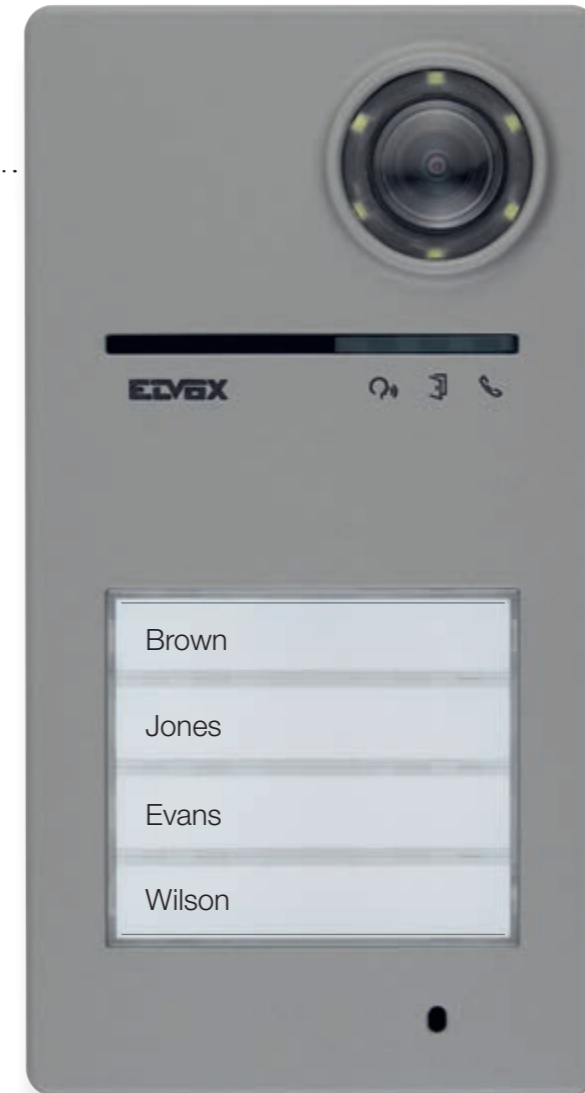


**Stylish details.**  
"Invisible" speaker; outstanding audio quality.

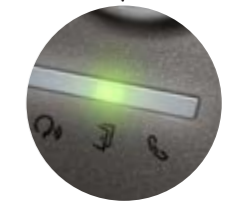
**Installation versatility.**  
Possibility of managing calls for 1, 2 and 4 push buttons (backlit) and built-in transponder for access control function.



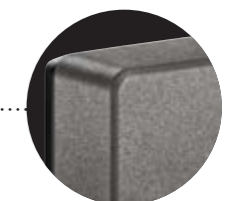
**Digital key tag and transponder card**



**Camera** with superior visual performance, crystal-clear images and wide recording angle.



**Audible and optical signalling via signal LEDs.**



**Robust structure.**  
Made of **zamak** with RAL 9007 aluminium grey coloured metallic finish, weather resistant with IP54 protection degree (water and dust) and IK08 shock resistance.

just 10 cm wide

**Ideal for installation on thin pillars.**



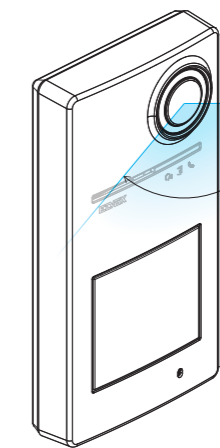
Jones

## Quality in every detail. Several functions for top-performing solutions.

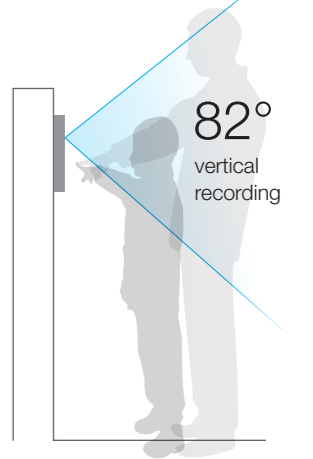
**Roxie stands out for the attention and care for every tiny detail.** It is a state-of-the-art device with top-performing technology and functions to create a complete video door entry system that's easy to install and use.



Camera with wide horizontal and vertical recording angle.



130°  
horizontal recording



82°  
vertical recording



**Audible signalling** with voice messages (available in 12 languages):

- Call in progress
- End of call
- Door open
- Auxiliary activation
- No answer
- Busy
- Speak

**Optical signalling via LEDs:**

- Call in progress
- Lock release
- Busy
- No communication



**Simple installation**

- front cover
- one-piece electronic part

### AUXILIARY FUNCTIONS

- Additional relay output for **pedestrian gate opening** or **garden lighting**.
- Video input to **connect a CCTV camera** to view other areas of your home.





## Sophisticated access control, also remotely.

To meet the needs of unmanned accommodation facilities or those without a reception, such as small hotels, Bed&Breakfasts, gyms or spas, **access control** can be operated with simple and safe solutions: by using **tags (digital proximity keys)** or **transponder cards** or **remotely in smart mode** with the new **View Key App** designed to allow the user to open doors to rooms and communal areas directly from their smartphone and the facility manager to manage access on the part of guests or customers on-line via the View cloud portal.

### ACCESS CONTROL WITH TAGS AND TRANSPONDER CARDS.

- **Mifare RFID digital key tag**, to be used in proximity of the entrance panel.
- **Mifare transponder card**, ideal in applications for small hotels, accommodation facilities and wellness amenities.



View Key App

### REMOTE ACCESS CONTROL WITH THE VIEW KEY\* APP.

The user controls access to reserved entrances and communal areas directly from their smartphone using the View Key App.

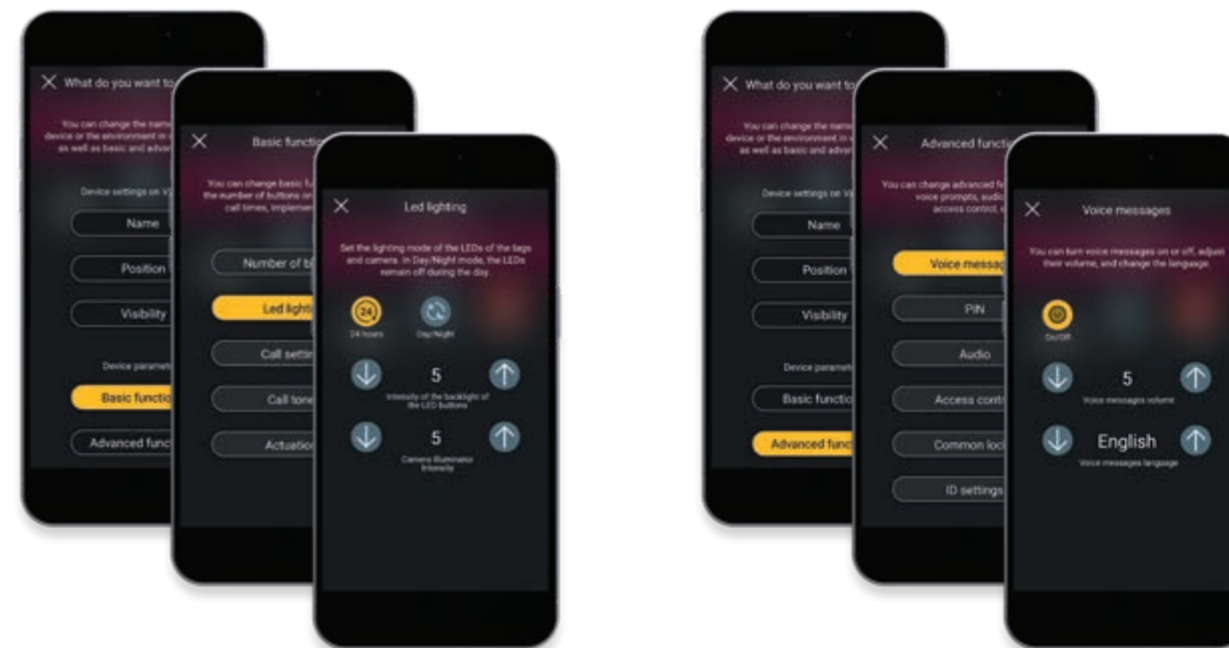
The facility manager can manage accesses on-line, via the View cloud portal, with several functions:

- assigning credentials to their guests/customers;
- entering how long guests are staying (check-in, check-out, memberships, etc.);
- sending e-mails containing virtual access keys to be activated in the App;
- managing the validity periods of accesses via physical cards enrolled in the system and also consulting the access logs.



## Easy system programming and configuration with the View Wireless App.

Configuring and programming the various basic and advanced functions is extremely simple thanks to the View Wireless App designed for user-friendly configuration, guiding you step by step as you programme the various functions.



**Basic operation examples:**  
setting the system name, possibility of setting backlighting either on a time basis or with dusk/dawn sensor



View Wireless App

**Advanced operation examples:**  
setting voice messages, audio volume, access control

The Roxie outdoor station can be programmed using:

- View Wireless App
- buttons (1)
- DIP switches (2)
- SaveProg software (3)

1. Buttons

2. DIP switches

3. SaveProg software



## Extra simple installation. Details make all the difference.

The versatility of the new Roxie entrance panel allows surface mounting with and without rain guard or flush mounting to accommodate any requirements and simplify the system set-up times.

### SURFACE MOUNTING



without rain guard



with rain guard  
(art. 40177, not supplied)

### INSTALLATION IN THE EVENT OF RENOVATION OR REPLACEMENT IN EXISTING SYSTEM



Adaptor with rain guard  
(art. 40178)

### FLUSH MOUNTING



with frame  
(art. 40179\*, not supplied)



\*Art. 40179 comprising: frame, mounting frame and flush mounting box

Possibility of flush mounting with mounting boxes 9191, 9192, 91K1 and in the most commonly found flush mounting boxes available on the market with the dedicated adaptor with rain-proof frame.



Mounting box  
art. 9191



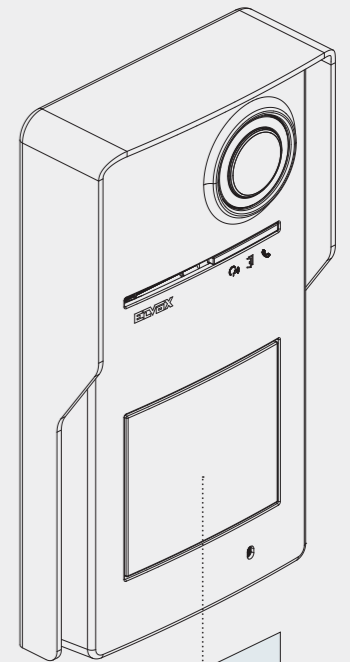
Mounting box  
art. 9192



Mounting box  
art. 91K1

### Extensive versatility.

Possibility of managing name plates with between 1 and 4 names.



1 button  
for single home

Brown

2 buttons  
for two-family homes

Brown

Jones

4 buttons  
for four-family compounds or terraced houses

Brown

Jones

Evans

Wilson



**Roxie is also available in preconfigured kits.**  
Choose the most appropriate solution.



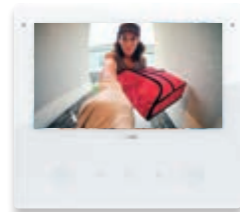
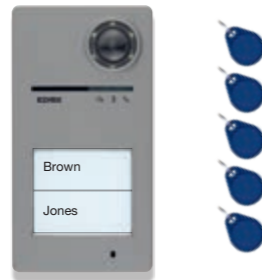
Roxie is available as an individual product and in 5 practical pre-programmed kits. The kits consist of the Roxie entrance panel combined with video entryphones from the Tab range, including with built-in Wi-Fi to forward calls to a smartphone. The line-up is comprehensive and accommodates all needs, making it ideal for refurbishments or when updating existing Due Fili Plus systems.

**SMART VIDEO DOOR ENTRY KIT**



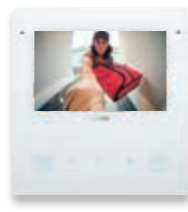
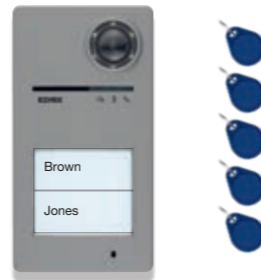
**Smart single/two-family video door entry kit**

- Roxie entrance panel
- 5 key tags
- Tab 7S Up hands-free video entryphone with 7" colour touch display and built-in Wi-Fi, manageable using the View App



**Smart single/two-family video door entry kit**

- Roxie entrance panel
- 5 key tags
- Tab 5S Up hands-free video entryphone with 7" colour touch display and built-in Wi-Fi, manageable using the View App

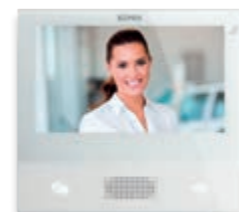


**VIDEO DOOR ENTRY KITS**



**Video door entry kit**

- Roxie entrance panel
- 5 key tags
- Tab 7 hands-free video entryphone with 7" colour touch display



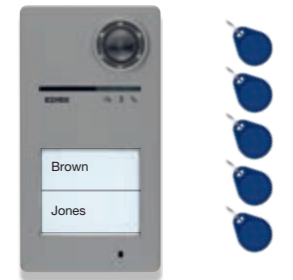
**Video door entry kit**

- Roxie entrance panel
- 5 key tags
- Tab 4.3 video entryphone with 4.3" colour display and handset



**Video door entry kit**

- Roxie entrance panel
- 5 key tags
- Tab Free 4.3 hands-free video entryphone compact with 4.3" colour display



## Index

---

Preconfigured kits	18
Roxie outdoor station	22
Accessories	24
Examples of standard systems	26

**Expandable single-family video door entry kit with connected Tab 7S Up**

Single-family video door entry kit for installation of a video door entry system in a solution with up to max 4 homes.

The kit contains:

- a Tab 7S Up hands-free video entryphone, with 7" colour LCD screen, with backlit capacitive keypad and touch screen display for video door entry functions: talk/listen, lock release, self-start, call transfer, auxiliary services (e.g. stair lights), ringtone mute and intercom calls.

Equipped with a teleloop so that hearing aid wearers can also use it. With built-in Wi-Fi to receive video door entry calls, open the front door or activate other video door entry functions directly from your smartphone or tablet using the View App. What's more, scenarios from the View Wireless system can be activated from the video entryphone after they have been created and configured in the View App.

- a Roxie series audio/video entrance panel, configurable from the View Wireless App, with integrated electronic unit, colour camera, automatic volume control of both the speaker and the microphone,

equipped with 1 call button with white LED backlighting and dusk/dawn lighting control, call status indicator LED, electronic lock control, built-in Mifare RFID reader for access control with key tags and transponder cards. Complete with zamak cover plate for surface mounting.

- one power supply unit 40110 with 28 VDC output, 110-240 V~50/60 Hz power supply, installation on DIN rail (60715 TH35), occupying 6 x 17.5 mm modules.

**Main characteristics**

Video door entry kit for connection with only 2 non-polarised (twisted) conductors for video entryphone/power supply unit, power supply unit/entrance panel, entrance panel/lock, with call transfer using the View App on smartphone (not supplied).

Recommended use of cable 732H.E.100, 732H.E.500, 732I.C.100, 732I.E.100, 732I.E.500, not supplied. The kit can be expanded with the addition of other video door entry units and entrance panels.

Power supply 110-240 VAC 50/ 60 Hz.

**Expandable single-family video door entry kit with connected Tab 5S Up**

Single-family video door entry kit for installation of a video door entry system in a solution with up to max 4 homes.

The kit contains:

- a Tab 5S Up hands-free video entryphone, with 5" colour LCD screen, with backlit capacitive keypad and touch screen display for video door entry functions: talk/listen, lock release, self-start, call transfer, auxiliary services (e.g. stair lights), ringtone mute and intercom calls.

Equipped with a teleloop so that hearing aid wearers can also use it. With built-in Wi-Fi to receive video door entry calls, open the front door or activate other video door entry functions directly from your smartphone or tablet using the View App. What's more, scenarios from the View Wireless system can be activated from the video entryphone after they have been created and configured in the View App.

- a Roxie series audio/video entrance panel, configurable from the View Wireless App, with integrated electronic unit, colour camera, automatic volume control of both the speaker and the microphone, equipped with 1 call button with white LED backlighting

and dusk/dawn lighting control, call status indicator LED, electronic lock control, built-in Mifare RFID reader for access control with key tags and transponder cards. Complete with zamak cover plate for surface mounting.

- one power supply unit 40110 with 28 VDC output, 110-240 V~50/60 Hz power supply, installation on DIN rail (60715 TH35), occupying 6 x 17.5 mm modules.

**Main characteristics**

Video door entry kit for connection with only 2 non-polarised (twisted) conductors for video entryphone/power supply unit, power supply unit/entrance panel, entrance panel/lock, with call transfer using the View App on smartphone (not supplied).

Recommended use of cable 732H.E.100, 732H.E.500, 732I.C.100, 732I.E.100, 732I.E.500, not supplied. The kit can be expanded with the addition of other video door entry units and entrance panels.

Power supply 110-240 VAC 50/ 60 Hz.

**View App**

Immediate and intuitive App used to manage video door entry functions from your smartphone and tablet. With the Wi-Fi built into the Tab 7S Up and 5S Up video entryphones, using the App you can receive calls from the entrance panel, make intercom calls, release the lock, view the video surveillance cameras, activate auxiliary services (switch on the stair lights or the sprinkler system, etc.), send and receive text messages or consult recorded messages.

In just a few steps, you can associate the View App with the video door entry functions of your system thanks to the use of intuitive wizards.



**View** App available in the Apple and Google Play stores

**View Key App**

Simple App to manage entrance panel accesses while you're on the move. Intended for guests and staff at accommodation facilities, it grants access to rooms and communal areas via smartphone and Bluetooth® connectivity. Access to an opening/room is granted by a veritable digital key ring, activated in the App, after receiving an invitation e-mail with the validity dates. The key ring displays the keys corresponding to the openings enabled by the accommodation facility administrator via the View cloud portal.

Simply approach the reader and the opening will be opened with a simple gesture.



**View Key** App available in the Apple and Google Play stores

**Expandable single-family video door entry kit with connected Tab 7S Up**

- K40517.R** Due Fili Plus expandable colour video door entry kit containing:
- 1 Tab 7S Up (40517) white video entryphone with built-in Wi-Fi for call repetition on smartphone, possibility of calling up scenarios from the View Wireless connected wiring series from the video entryphone;
  - 1 Roxie entrance panel (40170) complete with 1 push button (40171) and access control reader;
  - 1 power supply unit (40110);
  - 5 Mifare RFID key tags



View Wireless App for Roxie video entrance panel configuration

**Expandable single-family video door entry kit with connected Tab 5S Up**

- K40515.R** Due Fili Plus expandable colour video door entry kit containing:
- 1 Tab 5S Up (40515) white video entryphone with built-in Wi-Fi for call repetition on smartphone, possibility of calling up scenarios from the View Wireless connected wiring series from the video entryphone;
  - 1 Roxie entrance panel (40170) complete with 1 push button (40171) and access control reader;
  - 1 power supply unit (40110);
  - 5 Mifare RFID key tags



View Wireless App for Roxie video entrance panel configuration

**Expandable single-family video door entry kit with Tab 7**

Single-family video door entry kit for installation of a video door entry system in a solution with up to max 4 homes.

The kit contains:

- a Tab 7 hands-free video entryphone, with 7" colour LCD screen, with backlit capacitive keypad for video door entry functions: talk/listen, lock release, self-start, auxiliary services (e.g. stair lights), ringtone mute and intercom calls. Equipped with a teleloop so that hearing aid wearers can also use it.
- a Roxie series audio/video entrance panel, configurable from the View Wireless App, with integrated electronic unit, colour camera, automatic volume control of both the speaker and the microphone, equipped with 1 call button with white LED backlighting and dusk/dawn lighting control, call status indicator LED, electronic lock control, built-in Mifare RFID reader for access control

with key tags and transponder cards. Complete with zamak cover plate for surface mounting.

- one power supply unit 40110 with 28 VDC output, 110-240 V~50/60 Hz power supply, installation on DIN rail (60715 TH35), occupying 6 x 17.5 mm modules.

**Main characteristics**

Video door entry kit for connection with only 2 non-polarised (twisted) conductors for video entryphone/power supply unit, power supply unit/entrance panel, entrance panel/lock.

Recommended use of cable 732H.E.100, 732H.E.500, 732I.C.100, 732I.E.100, 732I.E.500, not supplied. The kit can be expanded with the addition of other video door entry units and entrance panels.

Power supply 110-240 VAC 50/ 60 Hz.

**Expandable single-family video door entry kit with Tab Free 4.3**

Single-family video door entry kit for installation of a video door entry system in a solution with up to max 4 homes.

The kit contains:

- a Tab Free 4.3 hands-free video entryphone, with 4.3" colour LCD screen, with backlit capacitive keypad for video door entry functions: talk/listen, lock release, self-start, auxiliary services (e.g. stair lights), ringtone mute and intercom calls. Equipped with a teleloop so that hearing aid wearers can also use it.
- a Roxie series audio/video entrance panel, configurable from the View Wireless App, with integrated electronic unit, colour camera, automatic volume control of both the speaker and the microphone, equipped with 1 call button with white LED backlighting and dusk/dawn lighting control, call status indicator LED, electronic lock control, built-in Mifare RFID reader for access control

with key tags and transponder cards. Complete with zamak cover plate for surface mounting.

- one power supply unit 40110 with 28 VDC output, 110-240 V~50/60 Hz power supply, installation on DIN rail (60715 TH35), occupying 6 x 17.5 mm modules.

**Main characteristics**

Video door entry kit for connection with only 2 non-polarised (twisted) conductors for video entryphone/power supply unit, power supply unit/entrance panel, entrance panel/lock.

Recommended use of cable 732H.E.100, 732H.E.500, 732I.C.100, 732I.E.100, 732I.E.500, not supplied. The kit can be expanded with the addition of other video door entry units and entrance panels.

Power supply 110-240 VAC 50/ 60 Hz.

**Expandable single-family video door entry kit with Tab 4.3**

Single-family video door entry kit for installation of a video door entry system in a solution with up to max 4 homes.

The kit contains:

- a Tab 4.3 video entryphone with handset, with 4.3" colour LCD screen, with backlit capacitive keypad for video door entry functions: lock release, self-start, auxiliary services (e.g. stair lights), ringtone mute and intercom calls. Equipped with a teleloop so that hearing aid wearers can also use it.
- a Roxie series audio/video entrance panel, configurable from the View Wireless App, with integrated electronic unit, colour camera, automatic volume control of both the speaker and the microphone, equipped with 1 call button with white LED backlighting and dusk/dawn lighting control, call status indicator LED, electronic lock control, built-in Mifare RFID reader for access control

with key tags and transponder cards. Complete with zamak cover plate for surface mounting.

- one power supply unit 40110 with 28 VDC output, 110-240 V~50/60 Hz power supply, installation on DIN rail (60715 TH35), occupying 6 x 17.5 mm modules.

**Main characteristics**

Video door entry kit for connection with only 2 non-polarised (twisted) conductors for video entryphone/power supply unit, power supply unit/entrance panel, entrance panel/lock.

Recommended use of cable 732H.E.100, 732H.E.500, 732I.C.100, 732I.E.100, 732I.E.500, not supplied. The kit can be expanded with the addition of other video door entry units and entrance panels.

Power supply 110-240 VAC 50/ 60 Hz.

**View Key App**

Simple App to manage entrance panel accesses while you're on the move. Intended for guests and staff at accommodation facilities, it grants access to rooms and communal areas via smartphone and Bluetooth® connectivity. Access to an opening/room is granted by a veritable digital key ring, activated in the App, after receiving an invitation e-mail with the validity dates. The key ring displays the keys corresponding to the openings enabled by the accommodation facility administrator via the View cloud portal.

Simply approach the reader and the opening will be opened with a simple gesture.



**View Key** App available in the Apple and Google Play stores

**Expandable single-family video door entry kit with Tab 7**

- K40505.R** Due Fili Plus expandable colour video door entry kit containing:
- 1 Tab 7 surface mounting hands-free white video entryphone with 7" LCD colour display (40505) ;
  - 1 Roxie entrance panel (40170) complete with 1 push button (40171) and access control reader;
  - 1 power supply unit (40110);
  - 5 Mifare RFID key tags



View Wireless App for Roxie video entrance panel configuration

**View Key**  
**K40505.R**

**Expandable single-family video door entry kit with Tab Free 4.3**

- K7559.R** Due Fili Plus expandable colour video door entry kit containing:
- 1 Tab Free 4.3 surface mounting hands-free white video entryphone with 4.3" colour display (7559);
  - 1 Roxie entrance panel (40170) complete with 1 push button (40171) and access control reader;
  - 1 power supply unit (40110);
  - 5 Mifare RFID key tags



View Wireless App for Roxie video entrance panel configuration

**View Key**  
**K7559.R**

**Expandable single-family video door entry kit with Tab 4.3**

- K7549.R** Due Fili Plus expandable colour video door entry kit containing:
- 1 Tab 4.3 surface mounting white video entryphone with handset and 4.3" colour display (7549) ;
  - 1 Roxie entrance panel (40170) complete with 1 push button (40171) and access control reader;
  - 1 power supply unit (40110);
  - 5 Mifare RFID key tags



View Wireless App for Roxie video entrance panel configuration

**View Key**  
**K7549.R**

Roxie entrance panel

**Roxie series entrance panel**

Surface mounting entrance panel comprising a zamak cover plate (RAL 9007 aluminium grey colour) and integrated electronic unit. Supplied with a call button and backlit name plate, it is designed for configuration with 1, 2 and 4 call buttons using articles 40171, 40172 and 40174. The entrance panel has a built-in Mifare RFID reader for key tags and transponder cards. Impact- and weather-resistant with protection degrees IP54 and IK08. Article 40179 with mounting frame, frame and flush mounting box is available for semi-flush installation. Supplied with a standard configuration, the unit can be customised to suit the particular system. The electronic unit can be programmed using the View Wireless App, buttons, DIP switches or the SaveProg software.

**Regulatory compliance**

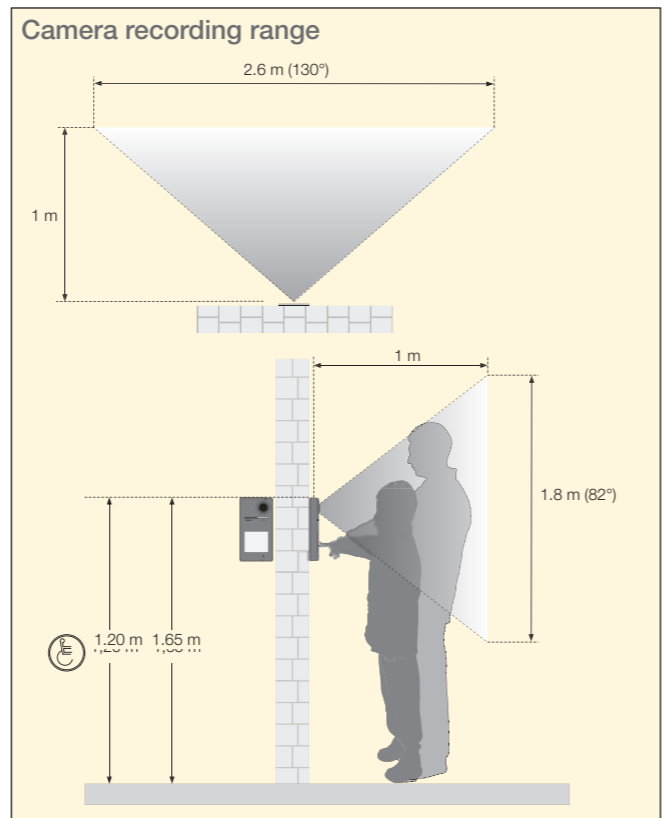
RED Directive. RoHS directive.  
EN 301 489-17, EN 300 328, EN 301 489-3, EN 300 330, EN 62311, EN 55032, EN 55035, EN IEC 63000, EN 60529, EN 62262, EN 62368-1 standards.

**Main characteristics**

- Electronic audio/video unit.
- Cover plate in zamak.
- Protection degree against impact IK08 and protection degree IP54.
- Call button in polycarbonate with white LED backlighting.
- Colour camera with wide-angle lens.
- White LED lighting in the recording area with automatic brightness control according to the ambient light.
- Front LEDs for signalling: call in progress/communication open; enable lock; missed call if the line is busy.
- Audible signalling with voice messages (available in 12 languages): "Call in progress", "End of call", "Door open", "Auxiliary activation", "No answer", "Busy" and "Talk"
- Power supply: Due Fili Plus Bus.
- Input for additional power supply (6923).
- Output for activation of electric lock (peak current  $I_T > 1$  A for 10 mS followed by maintenance current  $I_M = 200$  mA for as long as the lock control remains active).
- 1 relay output for activating auxiliary services, with NO and NC contacts, max 48 VDC 1 A.
- Video signal input for additional outdoor camera.
- Input configurable as door open sensor or for lock activation via remote control.
- RFID technology @ 13.56 MHz, ISO14443A Mifare standard, frequency range: 13.553-13.567 MHz.
- Configuration via View Wireless App for Bluetooth technology system.
  - Frequency range: 2400-2483.5 MHz.
  - RF transmission power: < 100 mW (20 dBm).
- Operating temperature from -25° to +55° C.
- Outdoor station dimensions: 100x190x32.5 mm.

Technical data		
Power supply from bus		voltage min. 24 VDC
Recording angle	horizontal	130°
	vertical	82°
Opening at 1 m	horizontal	2.6 m
	vertical	1.8 m
Current draw in stand-by		40 mA
Max current draw in operation		300 mA
Operating temperature		from -25° to +55° C
additional power supply		with 6923

Option of using additional power supply 6923 where necessary (bus voltage at terminals 1 and 2 of electronic unit registering < 24 VDC).



**View Key App**

App to manage entrance panel accesses while you're on the move. It grants access to rooms and communal areas via smartphone and Bluetooth® connectivity. Access to an opening/room is granted by a veritable digital key ring, activated in the App, after receiving an invitation e-mail with the validity dates. The App displays the keys corresponding to the openings enabled by the accommodation facility administrator via the View cloud portal.



View Key App available in the Apple and Google Play stores

**View Wireless App**

The View Wireless App is designed to configure and programme the basic and advanced entrance panel functions, thanks to an intuitive wizard which guides you step by step for the various functions to be activated.



View Wireless App available in the Apple and Google Play stores

Roxie entrance panel

**Surface mounting entrance panel**

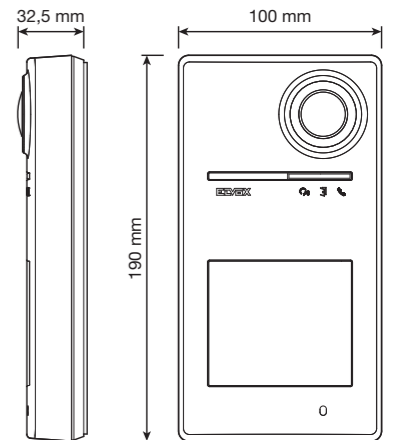
**40170** Roxie Due Fili Plus audio-video entrance panel programmable via the View Wireless App with Bluetooth standard technology, RFID access control, 130° wide-angle colour camera, set up for 4 call buttons with white LED backlighting and dusk/dawn lighting control, lock release and call status indicator LED, 1 input for outdoor camera, 1 input configurable as external CA lock release push button or PA door open, 1 direct opening output for electrical lock, 1 SELV relay output configurable as NC or NO 48V 1A, surface or semi-flush mounting (with dedicated accessory), to be completed with 1, 2 or 4 push button kit



View Key



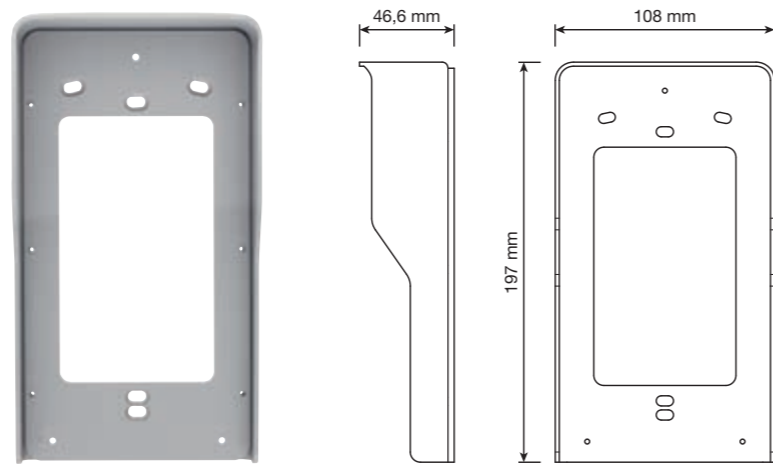
40170



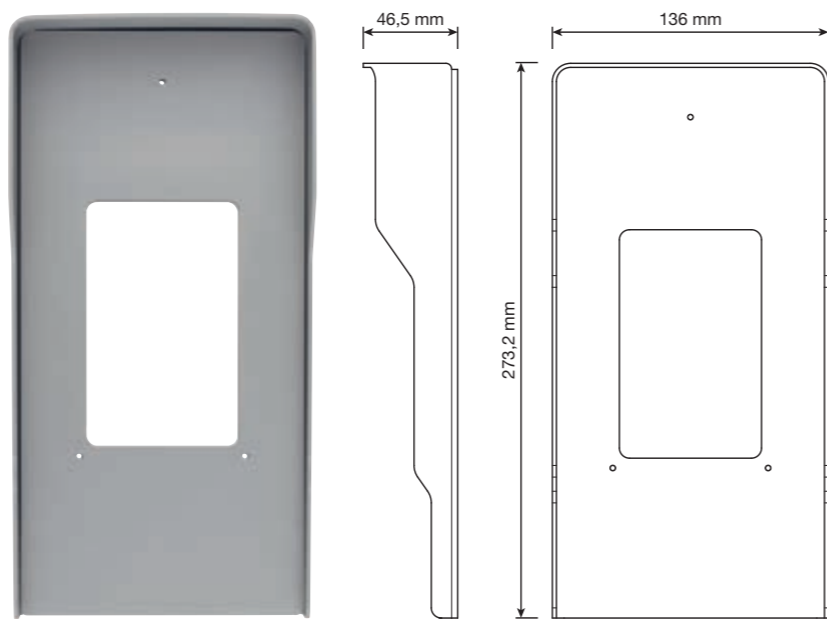
View Wireless App for Roxie video entrance panel configuration

Frame with rain guard

- 40177** Rain-proof frame for Roxie entrance panel 40170, surface mounting or installation in flush mounting box 1M 9191 and 91K1
- 40178** Rain-proof frame for Roxie entrance panel 40170, surface mounting or installation in flush mounting box 2M 9192



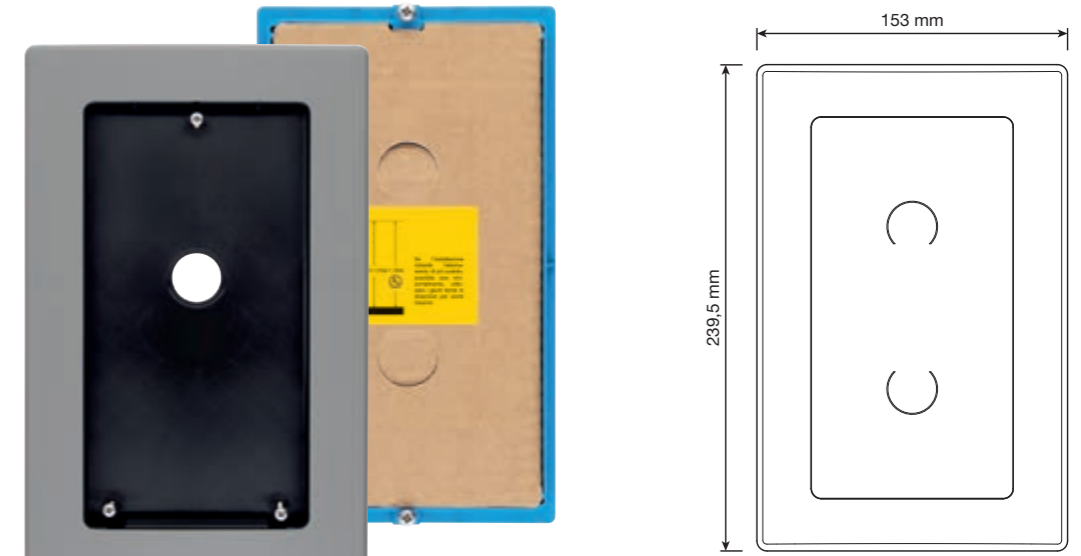
40177



40178

Accessories for semi-flush mounting

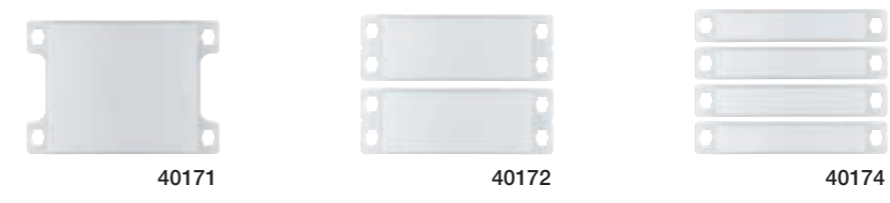
- 40179** Accessories for semi-flush mounting for Roxie entrance panel 40170: 1 mounting frame, 1 frame 1 flush mounting box



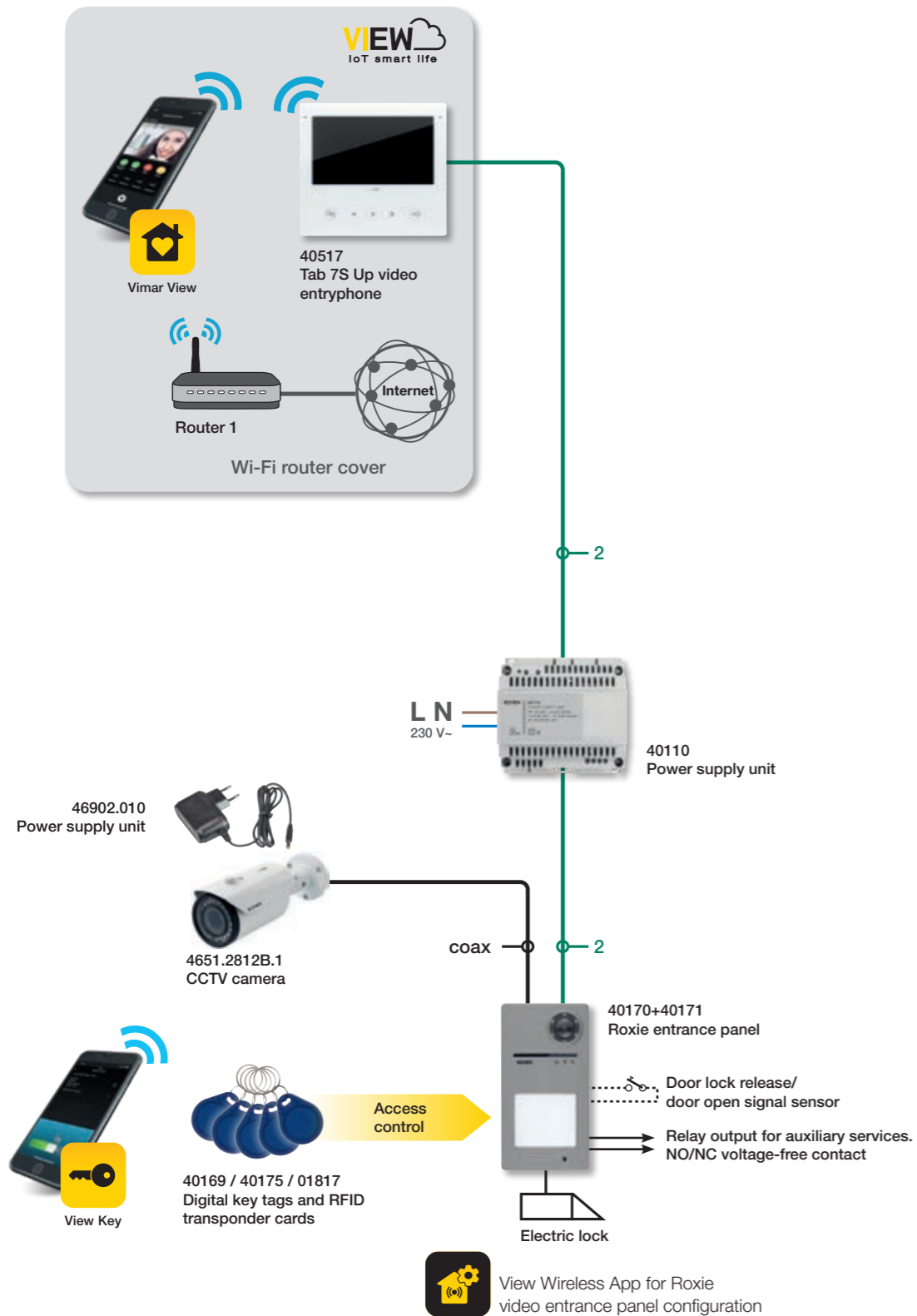
40179

Accessories

- 40171** Push button kit for Roxie entrance panel 40170 with name plate
- 40172** 2 single push buttons kit for Roxie entrance panel 40170 with name plates
- 40174** 4 single push buttons kit for Roxie entrance panel 40170 with name plates
- 40169** 7 Mifare transponder RFID keys (2 for configuration and 5 for users)
- 40175** 5 Mifare RFID keys for Roxie entrance panel 40170 for access control
- 01817** Mifare transponder card

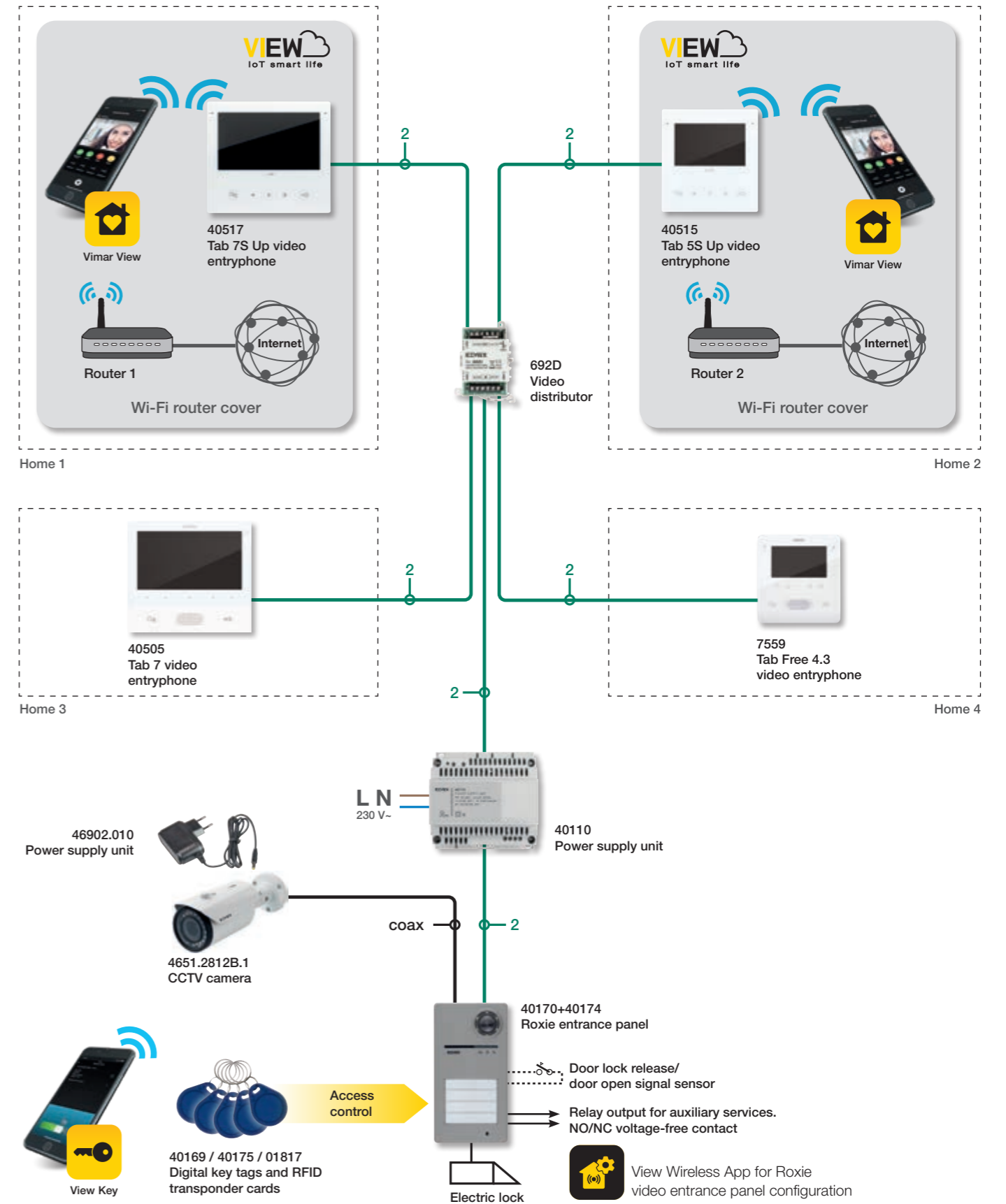


One-family villa with video door entry system.



**N.B.:** for further details (cable cross sections, distance between devices, device configuration, etc.), please refer to the specific Due Fili Plus video door entry system manual available from the [www.vimar.com](http://www.vimar.com) website.

Four-family home with video door entry system.



**N.B.:** for further details (cable cross sections, distance between devices, device configuration, etc.), please refer to the specific Due Fili Plus video door entry system manual available from the [www.vimar.com](http://www.vimar.com) website.

# Opportunities for you

**We are a team of professionals** who provide expert support and customized global solutions for automating, connecting and monitoring the entire building while assuring total aesthetic coordination of all visible devices.

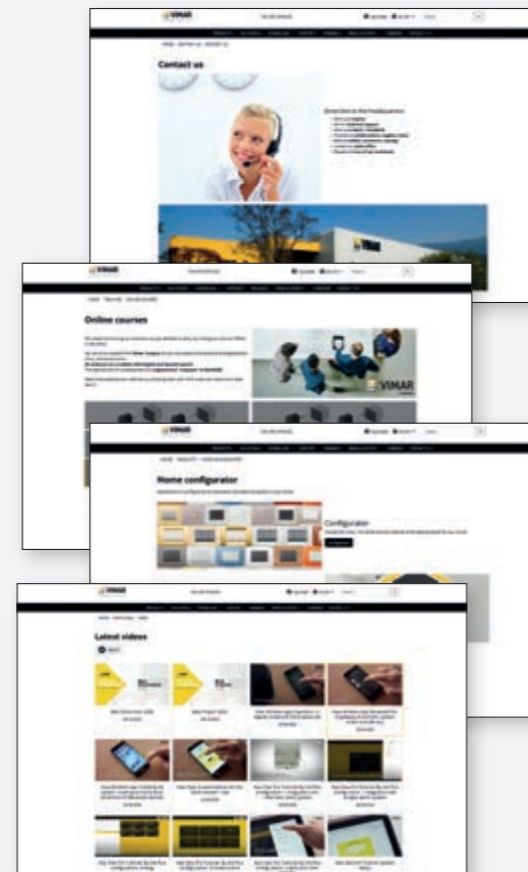
**vimar.com** - our on-line service platform, available 24/7. Vimar's know-how at your fingertips.

**Navigate the on-line catalogue**, a detailed database of all our codes with technical drawings, instruction sheets, and product photos.

Go to the **download section** and choose your language:

- **Dedicated catalogues** and **brochures** of our product range, systems and solutions.
- **Video** tutorial section, also available on You Tube channel.

From the homepage go to the **News** to keep yourself updated and to **References** to see our latest **Projects**.





**Energia Positiva.** Insieme

