

32121.x - 32123.x - 32124.x - 32144.x

- 32121.x:** XT control device KNX standard with 2 push buttons, also configurable as 1 rocker button, LED with status function and visible in darkness with brightness control, central LED matrix to customise symbols or animation - 1 front module.
- 32123.x:** XT control device KNX standard with 2 push buttons, also configurable as 1 rocker button, proximity function, LED matrix with status function or for scenario animation and visible in darkness with brightness control, central LED matrix to customise symbols or animation - 1 front module.
- 32124.x:** XT control device KNX standard with 4 push buttons, proximity function, LED with status function and visible in darkness with brightness control - 1 front module.
- 32144.x:** XT control device KNX standard with 4 push buttons with backlighting CLIMATE CONTROL symbols and visible in darkness with brightness control - 1 front module.

CHARACTERISTICS.

- Power supply: supplied with electrified XT mounting frame art. 32602.x, 32603.x, 32604.x, 32613.x o 32614.x and related node art. 32101
- Maximum absorption from the BUS:
 - 32121.x: 7.5 mA
 - 32123.x, 32124.x, 32144.x: 12.5 mA
- Red LED and configuration/reset push button
- Operating temperature: -5 °C ÷ +45 °C (indoor use)
- Occupies 1 front module size 30.5 mm
- Brightness on standby levels selectable from the related parameters
- Rear connection to the electrified mounting frame 32602.x, 32603.x, 32604.x, 32613.x or 32614.x
- Protection degree: IP20

	art. 32121.x	art. 32123.x	art. 32124.x	art. 32144.x
2 push buttons that can also be configured as 1 rocker switch	✓	✓		
Central matrix of white LEDs for programmable symbols or animation	✓	✓		
Vertical white LED slider for animation	✓	✓		
2 upper and lower white LEDs for status indication	✓			
Upper and lower white LED matrices for programmable symbols for status indication or for animation		✓		
4 push buttons			✓	✓
4 white LEDs opposite the push buttons for status indication			✓	
4 backlighting CLIMATE CONTROL symbols opposite the push buttons for thermostat status indications				✓
Proximity function		✓	✓	

CONFIGURATION.

Device and related parameter configuration occurs using the ETS software.

All the updated ETS databases can be downloaded from the "Software" section of the www.vimar.com website.


INSTALLATION RULES.

- Installation must be carried out by qualified persons in compliance with the current regulations regarding the installation of electrical equipment in the country where the products are installed.
- The device should be installed on electrified XT mounting frames with:
 - 2 modules art. 32602.x (for 2-module mounting box)
 - 3 modules art. 32603.x and 32613.x (for 3-module rectangular mounting box)
 - 4 modules art. 32604.x and 32614.x (for 4-module rectangular mounting box)

REGULATORY COMPLIANCE.

EMC directive. RoHS directive.

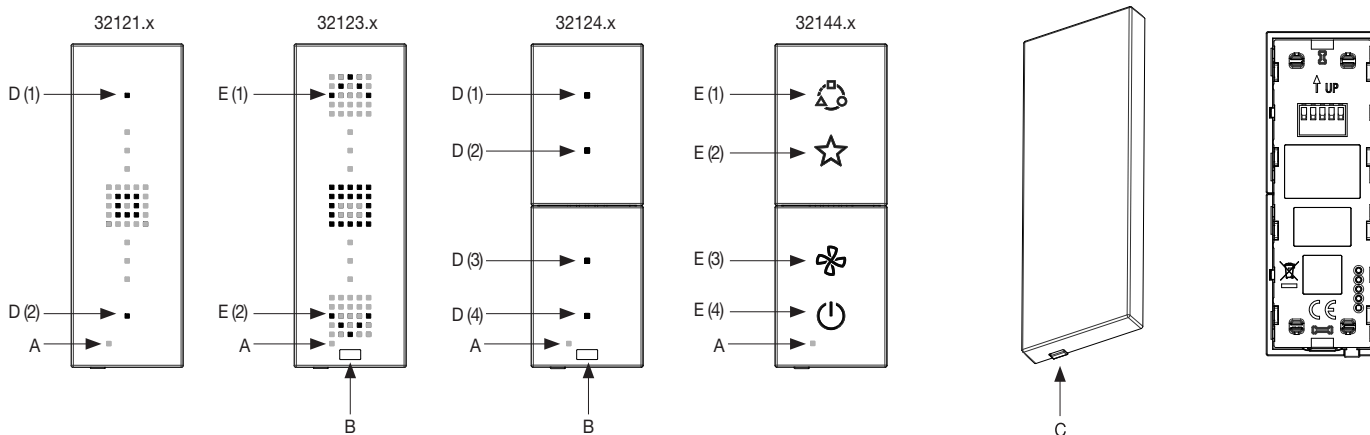
EN IEC 60669-2-1, EN 50491-2, EN IEC 63044, EN IEC 63000 standards.

REACH (EU) Regulation no. 1907/2006 – Art.33. The product may contain traces of lead.


WEEE - User information

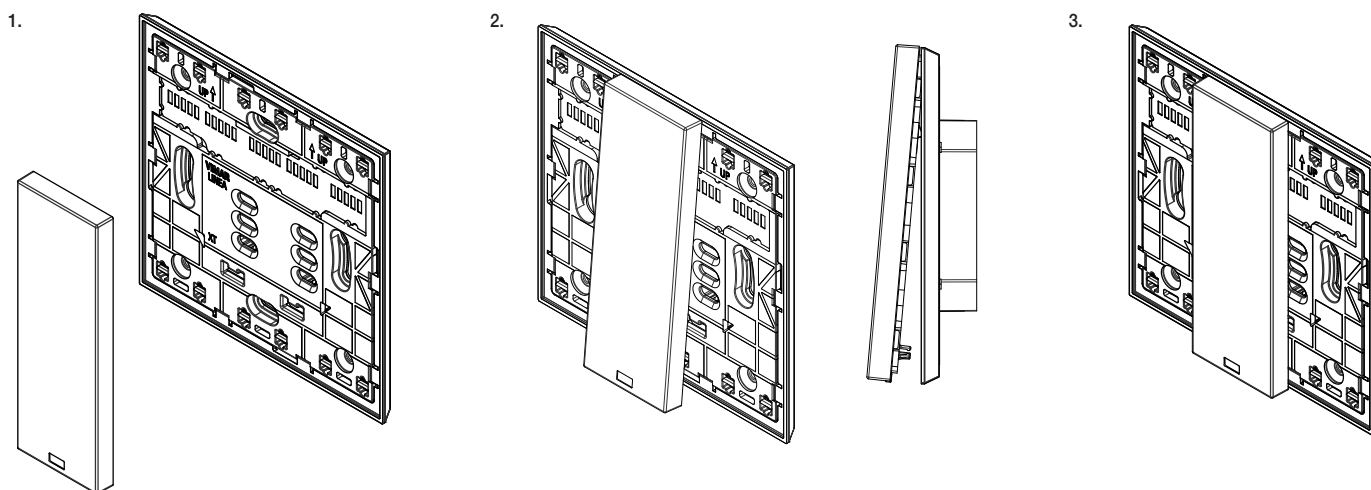
The crossed bin symbol on the appliance or on its packaging indicates that the product at the end of its life must be collected separately from other waste. The user must therefore hand the equipment at the end of its life cycle over to the appropriate municipal centres for the differentiated collection of electrical and electronic waste. As an alternative to independent management, you can deliver the equipment you want to dispose of free of charge to the distributor when purchasing a new appliance of an equivalent type. You can also deliver electronic products to be disposed of that are smaller than 25 cm for free, with no obligation to purchase, to electronics distributors with a sales area of at least 400 m². Proper sorted waste collection for subsequent recycling, processing and environmentally conscious disposal of the old equipment helps to prevent any possible negative impact on the environment and human health while promoting the practice of reusing and/or recycling materials used in manufacture.

FRONT AND REAR VIEW



- A: Red LED
- B: Proximity sensor
- C: Configuration/Reset push button
- D: Push button and white LED
- E: Push button and white LED matrix

HOOKING THE DEVICE



REMOVING THE DEVICE

