

03992 - Magnetic Quid relay module with sequential ON/OFF pulses, 1 input for NO push button, 1 input for reset push button, 1x10 AX relay output, 220-240 V~ 50/60 Hz power supply, light signal for the load status on each individual push button, installation in junction boxes or connector block boxes.

The device, which can be installed in connector block boxes and placed underneath the blank module or inside the junction boxes declared as suitable for electrical devices that dissipate energy, turns a load on or off following a signal received from a push button. It is also fitted with an input for the control unit switch-off control (reset). If the signalling unit 00932 is installed in the ON/OFF or reset control push button, the device sends a signal about the status of the load.

00945.G, 00932 - Load status LED signalling unit, green.

The signalling unit is installed in the back of the push buttons associated with relay 03992 and signals the status of the load both for the control push button and for the reset push button. Art. 00945.G is dedicated to the Linea series.

CHARACTERISTICS.

- Rated supply voltage: 220 – 240 V~ 50/60 Hz.
- ON/OFF control via NO push buttons.
- Relay output (1, L) for lights control 10 AX 220-240 V 50/60 Hz
- Max. 1 switching per second.
- Reset control via NO push button. An unlimited number of art. 03992 (with or without signalling unit) can be connected to the same Reset push button.
- Art. 00932 for signalling the load status can be installed on the control and reset push button.
- An unlimited number of ON/OFF control push buttons can be connected to each module 03992. Up to a maximum of 4 ON/OFF control push buttons with junction box pilot lamp can be connected. This lamp will only light up when the load is ON.
- Up to a maximum of 2 Reset push buttons with junction box pilot lamp can be connected to each module 03992 (for instance, with 2 modules 03992 connected to the same Reset push buttons, 4 Reset push buttons with junction box pilot lamp can be connected). The junction box pilot lamp will light up if one of the relays has the load ON.
- On the ON/OFF control push button and on the reset push button we recommend you use buttons art. 31000A.L-31000.L-31000A.D-31000.D if you are using signalling unit 00945.G or buttons 20026-19026-14026-20021.L-19021.L-14021.L if you are using unit 00932.
- **In the event that several modules 03992 are connected together using the reset push button, the system must be set up with a single Hysteresis and/or RCBO circuit breaker.**
- It should be used in dry, dust-free places at a temperature of between 0 °C and +35 °C.
- Dissipated power: 1.5 W with load ON and max. current 10 A
0 W and no absorption with load OFF
- **Art. 00945.G-00932:**
 - Rated supply voltage: 220 – 240 V~ 50/60 Hz.
 - The signalling unit can be installed on the ON/OFF and reset control push button.
 - The signalling unit can also be installed on controls that are not associated with module 03992.
 - It should be used in dry, dust-free places at a temperature of between 0 °C and +35 °C.

SUPPLEMENTARY DECLARATION MADE BY THE MANUFACTURER.

- **Relay output (220- 240 V~ controllable loads):**
 - rated load in AC1: 10 A (6,000 cycles);
 - rated load in AC15: 2.2 A (5,000 cycles);
 - resistive loads : 10 A (20,000 cycles);
 - incandescent lamps : 3 A (20,000 cycles);
 - fluorescent lamps : 100 W (20,000 cycles);
 - energy saving lamps : 100 W (20,000 cycles);
 - LED lamps : 100 W (20,000 cycles);
 - electronic transformers : 2 A (20,000 cycles);
 - power supply units for LED strips: 200 W (20,000 cycles).



INSTALLATION RULES.

- Installation must be carried out by qualified persons in compliance with the current regulations regarding the installation of electrical equipment in the country where the products are installed.
- The power supply circuit (L-N) must be protected against overloads by installing a device, fuse or automatic 1-way switch, with a rated current not exceeding 10 A.
- Since these are retrofit devices, art. 03992 must always be installed in protected boxes.

REMOTE CONTROL RECEPTION.

Quid can be remote controlled using the following devices:

- **DueFill+ video door entry system: Video Door App + art. 40507 + art. 69RH or 69PH (programmed for 2 s timed actuation)**
The DueFill+ system is designed to configure a timed actuation (relay art. 69RH or 69PH) and control it from video door entry indoor stations. If the indoor station is connected (art. 40507) actuation can be remote controlled via the Video Door App.
- **IP video door entry system: Video Door App + art. 40607 + art. 40636 (programmed for 2 s timed actuation)**
The IP video door entry system is designed to configure a timed actuation (relay art.40636) and control it from video door entry indoor stations. If the indoor station is connected (art. 40507) actuation can be remote controlled via the Video Door App.
- **GSM thermostat 01913:** the device is fitted with a programmable output to which an auxiliary supporting relay needs to be connected (a common one-position stable relay with a 230V coil is sufficient). Actuation is then controlled via the By-Phone App or the By-Clima App (or directly via SMS text message).

REGULATORY COMPLIANCE.

LV Directive. EMC directive. EN 60669-2-1 standard.

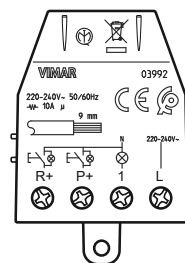
REACH (EU) Regulation no. 1907/2006 – Art.33. The product may contain traces of lead.



WEEE - User information

The crossed bin symbol on the appliance or on its packaging indicates that the product at the end of its life must be collected separately from other waste. The user must therefore hand the equipment at the end of its life cycle over to the appropriate municipal centres for the differentiated collection of electrical and electronic waste. As an alternative to independent management, you can deliver the equipment you want to dispose of free of charge to the distributor when purchasing a new appliance of an equivalent type. You can also deliver electronic products to be disposed of that are smaller than 25 cm for free, with no obligation to purchase, to electronics distributors with a sales area of at least 400 m². Proper sorted waste collection for subsequent recycling, processing and environmentally conscious disposal of the old equipment helps to prevent any possible negative impact on the environment and human health while promoting the practice of reusing and/or recycling materials used in manufacture.

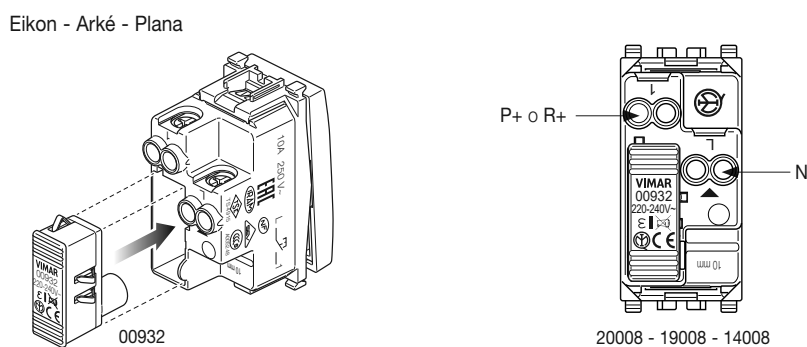
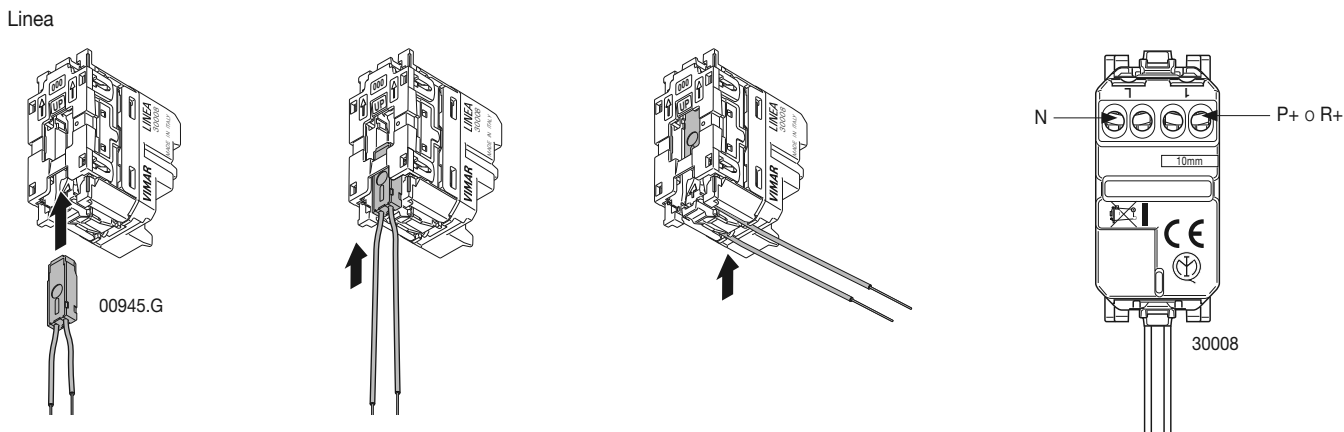
FRONT VIEW



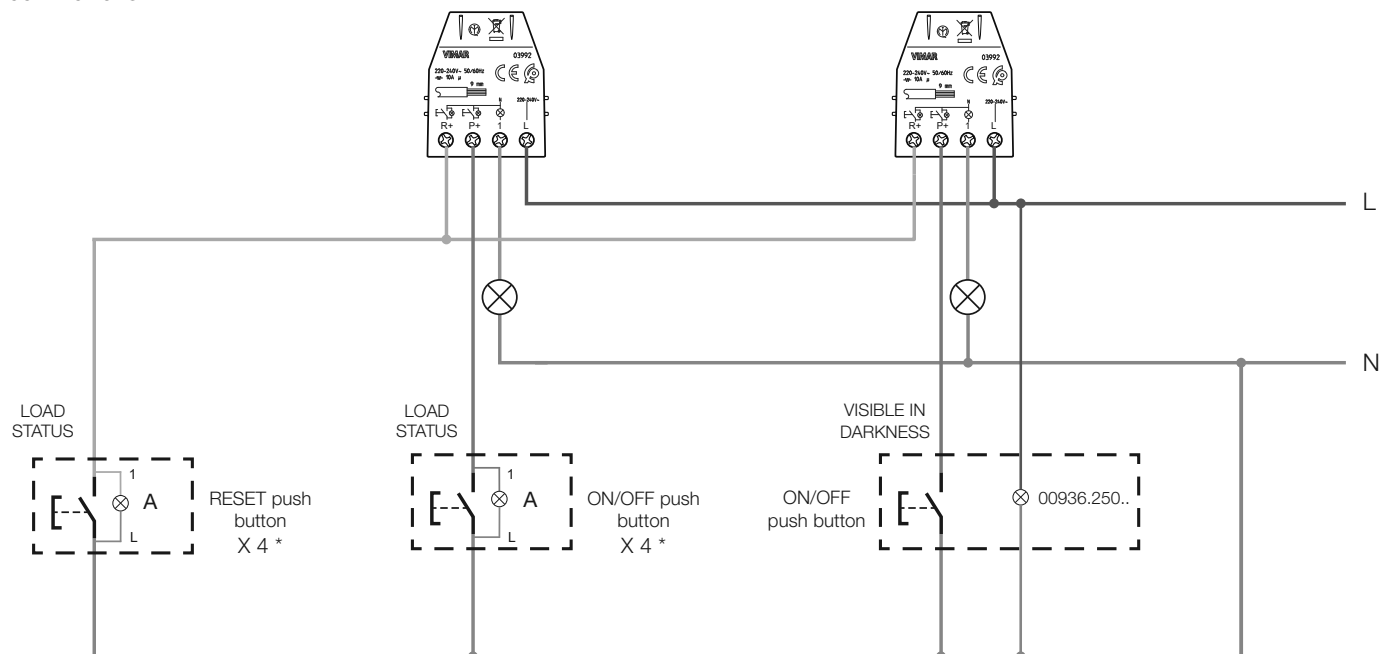
- R+ = Reset push button input
- P+ = ON/OFF push button input
- 1 = Load Output
- L = Line

03992 CONNECTIONS WITH 00945.G or 00932 UNIT

If unit 00945.G or 00932 is inserted into the ON/OFF control push button or the Reset push button of relay 03992, the status of the load is displayed on the individual push button; if the unit is on, the load is powered, whereas if it is off the load is not powered. The terminals of the push buttons are polarised so the installer must take care to identify the P+/R+ terminal and the Neutral terminal as illustrated in the figure (inverted wiring will result in malfunctioning).



CONNECTIONS



A: Art. 00932 or 00945.G

* Only in the presence of signalling unit 00932. If this is not the case, an unlimited number of push buttons can be connected. Use only the signalling unit 00932 as other indicator lights could damage the device. For the visible in darkness function connect the indicator light (art.00936.250..) to phase and neutral.