



BOXES AND CONSUMER UNITS

CATALOGUE



BOXES AND CONSUMER UNITS

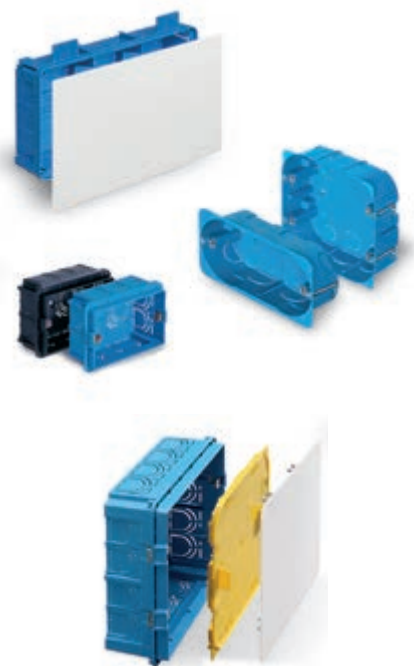


Enclosures and boxes.

An extensive range of mounting boxes and enclosures distinguished by great structural strength, top-performing solutions and extreme safety. Decorative control units sporting a painstaking and functional design, which blend in seamlessly with the wall for perfectly matching styling and superior versatility.

Isobox. Flush mounting boxes and junction boxes.

Connector block and junction boxes for masonry walls or hollow walls have plenty of space to contain cables and devices for quick and convenient wiring. They have a strong, form-stable structure and can also be installed in series. What's more, every tiny detail is designed to have a reduced visual impact on the wall and features modern styling to match all Vimar's wiring series.



Isoset. Protected and watertight series.

Enclosures, surface mounting covers and watertight enclosures designed to be installed in damp and dusty environments (warehouses, cellars, mechanic's workshops) where a protection degree of IP40 or IP55 is required.



Surface mounting boxes, junction boxes, desktop bases and floor mount turrets.

The slimline and elegant surface mounting boxes allow for easy installation, especially during refurbishment work. Tilted mounting boxes for desktop or table mounting and floor mount turrets, designed for the installation of socket outlets and data socket outlets. Both solutions install the devices from the Eikon, Arké and Plana series.



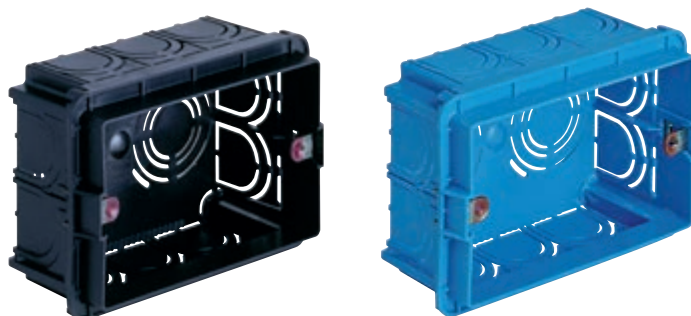
BOXES AND CONSUMER UNITS

Isobox: flush mounting boxes.

Several modular designs to house devices from the wiring series

➤ Flush mounting boxes for masonry walls.

The connector block boxes for masonry walls are made of high-strength technopolymer. This material is fire resistant up to a temperature of GW 650 °C. The boxes are also available in the self-extinguishing version with GW of up to 960 °C and therefore also suitable for installation in plasterboard walls. They have plenty of internal space for all the wirings of the devices to install.



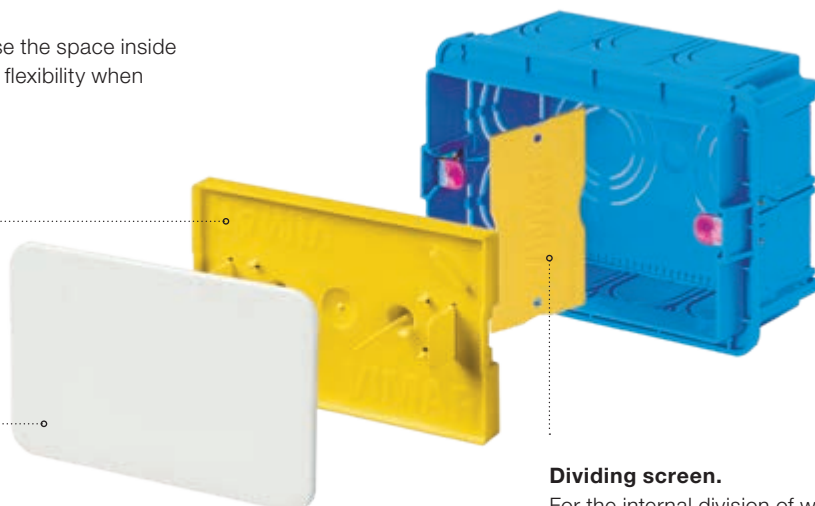
Broad range of accessories available to organise the space inside the box or installation in series granting outstanding flexibility when preparing a wiring system.

Anti-mortar cover.

Protects the box during the application of mortar, while the protruding fins allow rapid removal.

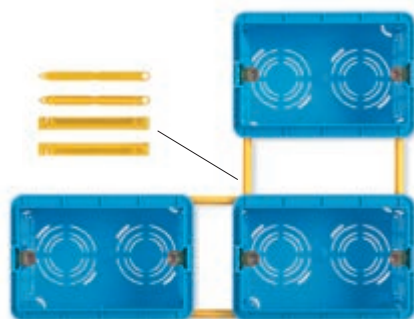
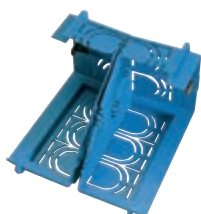
Paint-over cover

Snap-on or with screws, the cover seals the box when not in use



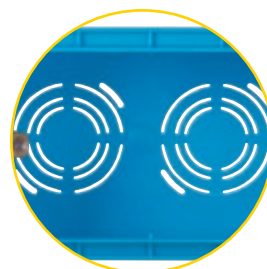
Dividing screen.

For the internal division of wiring circuits.



Coupling joints.

For the installation of boxes in series.



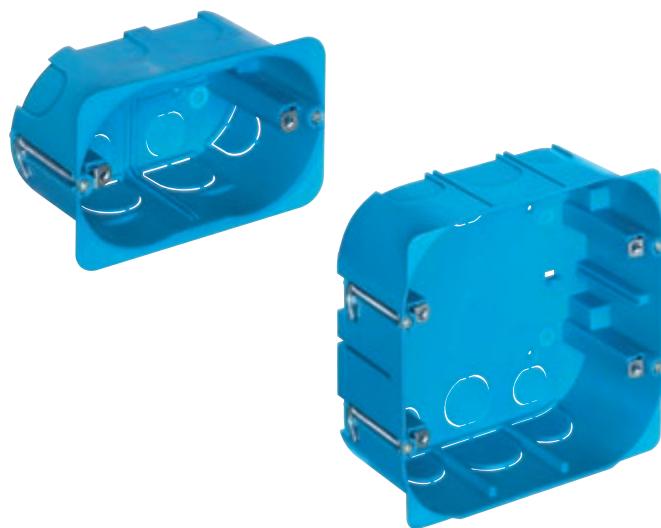
Fixing lugs of the support screws

with zinc-plating treatment and passivation covered with a special waxy substance that prevents the thread from clogging during plastering and favours screwing.

There are **knockouts with different diameters on each side of the box for the insertion of corrugated cables**. Installation is also possible with perfectly oppositely placed boxes thanks to the reference and locking pins.

> Flush mounting boxes for hollow walls.

The connector block boxes for hollow walls are also made of high-strength technopolymer. This material is also fire resistant up to a temperature of 850 °C. The boxes are suitable for installations in prefabricated walls consisting of elements in double sheets, with a hollow interior or air gap which does not offer the possibility of anchoring for traditional fixings.



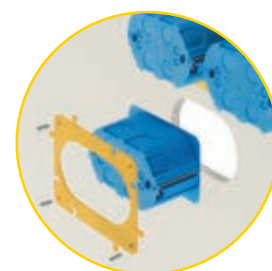
Patented retaining knockouts, that retain the corrugated pipe thanks to a special fin on the base of the box. Improved anchoring to the wall and greater strength thanks to the **progressive tightening screws**. **The metal claws** keep the mounting frame securely in place.

Centring template incorporated into the back of the box, for quicker and more accurate drilling of the sheet.



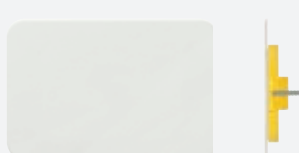
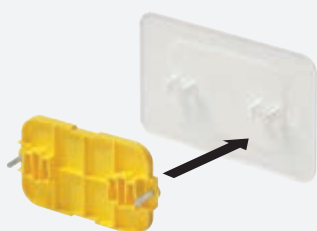
Multifunction accessory.

It speeds up the job and reduces the probability of error: it is a centring template for drilling and installing boxes in series. Once the central element has been removed, it can also serve as a frame useful for mounting elements on the inside of plasterboard walls.



Flush to wall cover.

Snap fixing onto the anti-mortar cover, with no visible screws. Reduced thickness, can be painted over to blend in perfectly with the wall. Available for 3-, 4- and even 2-module boxes for round mounting boxes. For use on both boxes for masonry walls and hollow walls, by Vimar as well as the main brands on the market.



Front and side view of the rectangular cover.



Perspective of the cover for round mounting boxes.

BOXES AND CONSUMER UNITS

Isobox: junction boxes.

Sturdy and versatile for hollow walls and masonry.

> Flush mounting for hollow walls.

Junction boxes for hollow walls can be installed either inside the front plasterboard sheet or on the back wall, owing to their specific shape and geometry. The significant thickness and fixing points maximise hard-wearing resistance and sturdiness; these characteristics offer efficient and effective solutions to suit the various needs of the site.

Fin for fixing the box behind the sheet of plasterboard. The serrated edge corresponding to the fins makes it easier to identify the position.

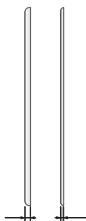
Removable handle. By removing the handle supplied from its original seat and placing it in the dedicated space on the DIN rail, the installation operations can be carried out in complete autonomy, without needing the help of colleagues. Once the job is complete, with the handle removed, the entire volume of the box is available for wiring. A unique solution **patented by Vimar**.

Fixing the corrugated pipes using cable ties. There are holes along the front edge and the base of the box for fixing corrugated pipes using 5 mm cable ties. A system **patented by Vimar** to make the installer's job easier.

Base with DIN rail from a mould, holes and slots for fixing cables using plastic cable ties or for fixing the box to the rear wall using screws.

4.5 mm

Cover for mounting boxes in masonry.

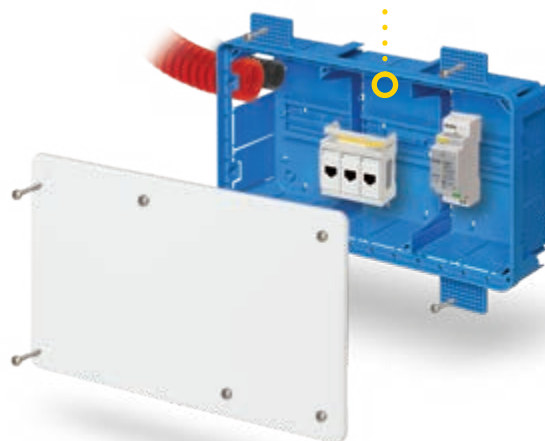
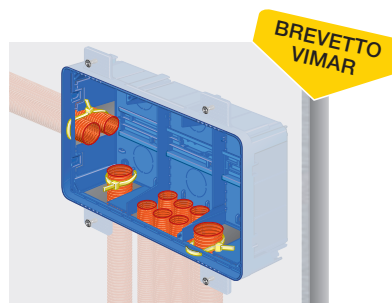
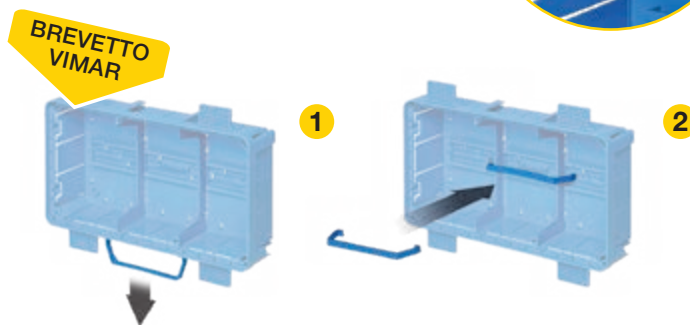
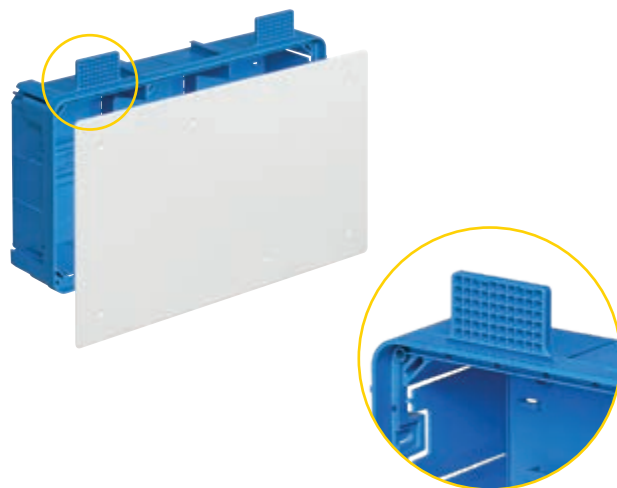


2.5 mm

Cover for mounting boxes for hollow walls.

Minimum impact on the wall.

The cover supplied is just 2.5 mm thick, ensuring minimal protrusion from the wall, and it can also be painted over. The result is therefore imperceptible installation despite being in full view.

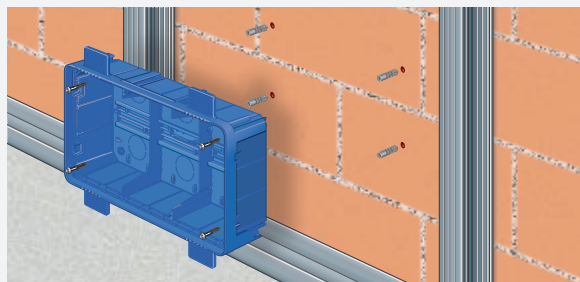


Double installation mode.

Installation on perimeter counter-walls.

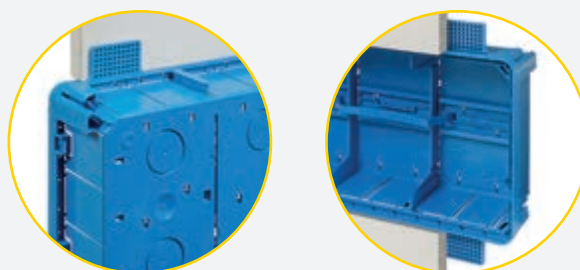
In the event of plasterboard counter-walls in front of a concrete or brick wall, the junction box for hollow walls can be fitted and fixed with screws directly in the masonry wall. The cone-shaped holes on the base of the box make it easier to tighten screws and the raised edge avoids contact between the screw and the live parts.

The 73 mm depth of the box was devised specifically to be compatible with 75 mm structures and above without interfering with the styling of a plasterboard wall.



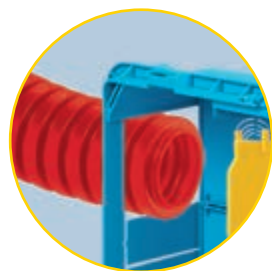
Installation in dividing walls.

The typical way of installing these boxes is inside the plasterboard sheet. They are fixed with screws that slot into the purpose-designed side fins. The multiple cone-shaped holes on the fins facilitate the insertion of the screw and are always easily identifiable, even if they are covered with the sheet, thanks to the serrated edge that indicates their position.



> Flush mounting for masonry walls.

The multiple models have a robust structure, with a white anti-mortar cover, and are also designed for the installation of devices for DIN rail (60715 TH35). They can be completed with an array of accessories. For damp and dusty environments, there are covers available fitted with a dedicated gasket, fitted on the inner edge to guarantee a protection degree of IP55.



There are **knockouts** on each side of the box for the insertion of corrugated cables.

IP55

Covers with gasket.

A range of IP55 covers with gasket devised to accommodate the needs of all those circumstances whereby the junction boxes are installed in damp, dusty environments or where there is a risk of direct contact with water.



Plenty of inner space for the installation of devices on DIN rail, also installable thanks to the fixing points on the base, and various accessories to organise the inner space or for installation in series.

BOXES AND CONSUMER UNITS

Isoset: protected and watertight series. Protected from objects, dust and damp.

The surface mounting enclosures, Isoset covers and watertight enclosures extend the scope of application of the devices in Vimar's wiring series to settings where a protection degree of IP40 or IP55 (gardens, terraces, warehouses, cellars, mechanic's workshops).

IP40

> Surface mounting IP40 enclosures

Enclosures with IP40 protection against the ingress of solid objects, such as tools or wires, with a diameter greater than 1 mm. Made of sturdy material and easy to install. The snap-on system, cover and fast pitch screws speed up the wiring process. Each box is equipped with knockouts on each side to couple it with other enclosures using a coupling gland.

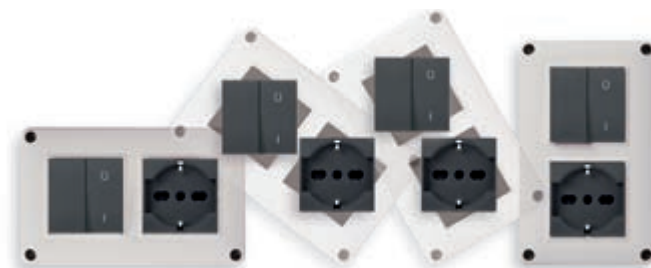
They can be completed with all the devices in the Eikon, Arké and Plana series.



The devices can be attached either horizontally and vertically; on all the multi-module versions from 2 modules up to 2x7



90°



IP55

> Surface mounting enclosures and IP55 covers

Enclosures protected against the ingress of dust, water jets and variations in atmospheric pressure. The devices are protected thanks to the cover with anti-UV membrane co-moulded in a single piece with the frame. They can be completed with all the devices in the Eikon, Arké and Plana series and the covers are available in three different colours: RAL 7035 grey, white and granite grey.



Door with anti-UV membrane co-moulded in a single piece with the frame. Moreover, the cover with locking system ensures easy, secure opening and closing.



They can be completed with all the devices in the Eikon, Arké and Plana series.



BOXES AND CONSUMER UNITS

IP55

> IP55 enclosure for 3-module flush mounting box.

For installation on flush mounting box with 3 modules with integrated mounting frame. Any 1- or 2-module device from the **Eikon**, **Arké** and **Plana** series can be installed, with a **maximum depth of 25 mm**. In the case of socket outlet installations, the seat housing the device can be rotated to allow the installation of axial cable plugs.



INSTALLABLE DEVICES



EIKON



ARKE'



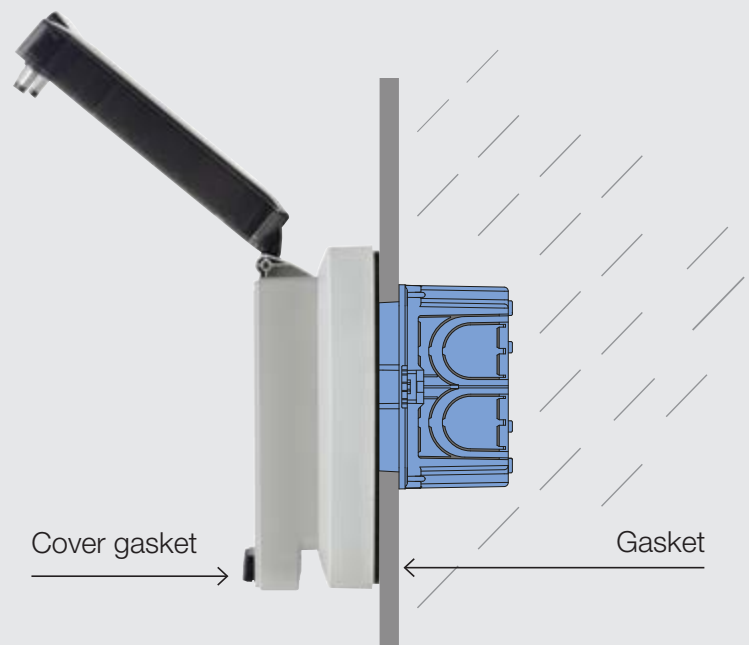
PLANA



Box with socket function

PERFECTLY WATERTIGHT

This is guaranteed thanks to the gaskets between the **cover and the lid** in smoky colour and between the **wall and the cover**.

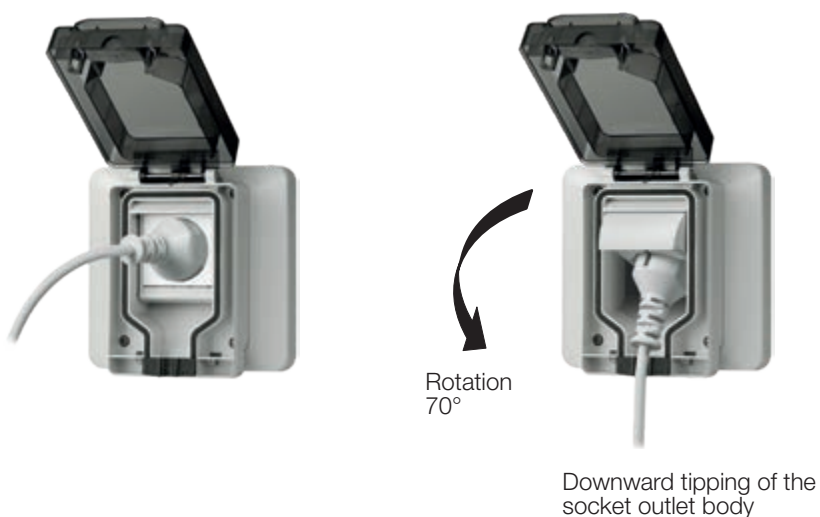


The adjustable position of the socket outlet body.

The adjustable position of the socket outlet body is an essential feature of this product, as a simple 70° turning motion allows the lid to be hermetically sealed, whatever plug is connected to it (axial, space-saving and/or at 90°). This ensures the enclosure is perfectly watertight and its protection degree is ensured. To achieve this result, simply introduce a plug in the socket outlet normally, turn the body down and the plug will automatically be positioned vertically so that the cable passes inside the watertight gasket.

USE WITH AXIAL PLUG

In the event of cables with an axial plug such as the Schuko or Italian standard, the socket outlet body can be turned down by 70° after the plug has been inserted. In this case too, the cover is hermetically sealed, ensuring the IP55 protection degree of the enclosure.



WITH CLOSED COVER.

The hermetic seal of the cover, thanks to the watertight gasket along the entire perimeter of the cover, ensures an IP55 watertight protection.



USE WITH PLUG AT 90°.

Cables with a 90° space-saving Schuko plug are hermetically sealed by the cover which, thanks to the watertight gasket, ensures the IP55 protection degree for the enclosures.



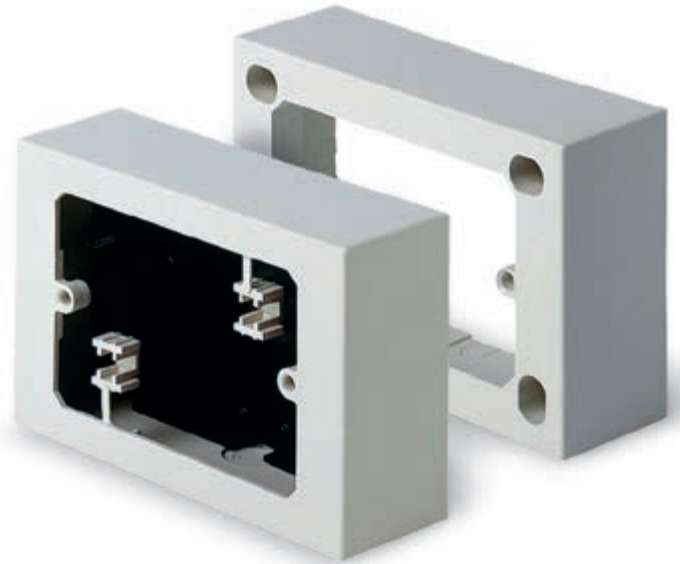
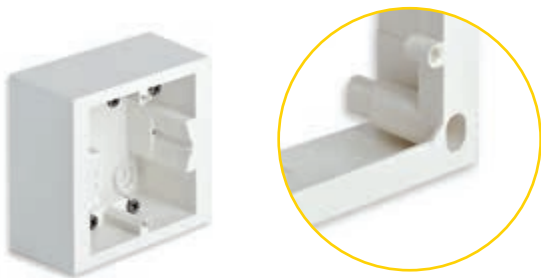
BOXES AND CONSUMER UNITS

Surface mounting boxes.

Junction boxes, connector block boxes, tilted for tabletop installation and floor mount turrets.

> Surface mounting boxes.

Available in the most popular modular designs and in various depths, surface mounting boxes are the ideal solution for surface mounting Vimar's wiring series.



Plenty of inner space for the installation of devices. Material and thickness provide maximum strength and sturdiness at any point of the box.

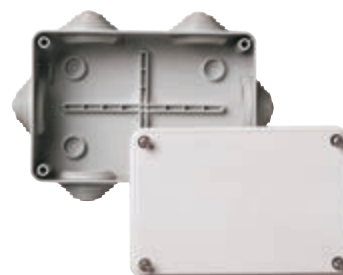
> Tilted table mounting boxes

Practical and within easy reach. Plenty of internal space for wiring devices. They are compact and once firmly in place on a tabletop, they remain securely in place and match the remainder of the system perfectly because any device from the Eikon, Arké and Plana series can be installed.



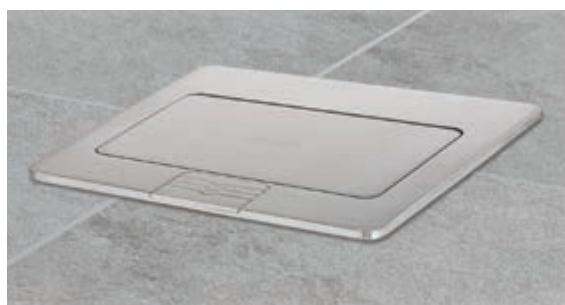
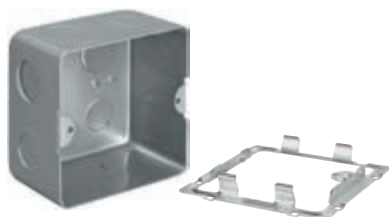
> Surface mounting junction boxes.

In strong technopolymer, they all stand out for all their inner space. The inner ribs provide superior rigidity for the structure and allow the fixing of terminal blocks and plates. The range offers boxes fitted with easy-to-cut cable outlets or with a smooth wall and standard cover. These boxes are also ideal on un-levelled walls.



> Floor mount turret.

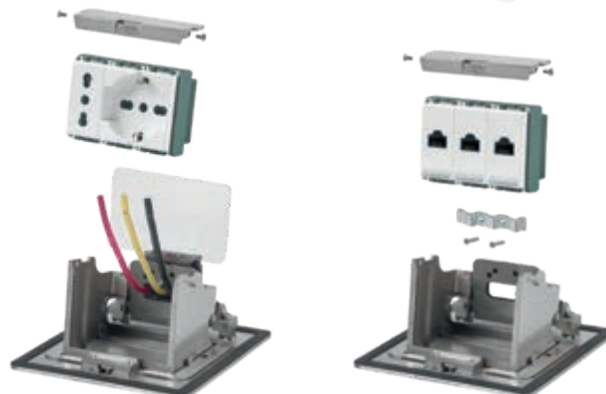
In stainless steel, it is useful for the installation of socket outlets and data socket outlets. Thanks to its minimum thickness, it can be installed on concrete floors (thanks to the steel flush mounting box, available for separate purchase). With a 3-module mounting frame to install devices from the Eikon, Arké, Plana and Neve Up series and a 3-way cable clamp for wiring data cables.



For **floating** and **concrete floors**.

Totally concealed.

Slimline profile to blend in perfectly with any type of floor. The manual spring-operated opening lever keeps the turret closed securely at all times, without creating any obstacles.



For socket outlets and data socket outlets.

With terminal block and contact protection pre-assembled for the installation of socket outlets, and cable clamp supplied with fixing screws for data socket outlets.

BOXES AND CONSUMER UNITS



Flush and surface mounting consumer units.

An extensive range of consumer units and mounting boxes distinguished by great structural strength, top-performing solutions and extreme safety. Decorative control units sporting a painstaking and functional design, which blend in seamlessly with the wall for perfectly matching styling and superior versatility.

Flush mounting consumer units.

Flush mounting consumer units, for masonry and plasterboard walls, available in an extensive range of modular designs. Designed with painstaking care for every tiny detail, devised to have a reduced visual impact on the wall and featuring modern styling to match all Vimar's wiring series.



Surface mounting consumer units.

Surface mounting consumer units, with transparent door and vertical and horizontal hinge, with IP40 and IP55 insulation degree, available in various modular designs to accommodate all installation requirements.



BOXES AND CONSUMER UNITS

Flush and surface mounting consumer units.

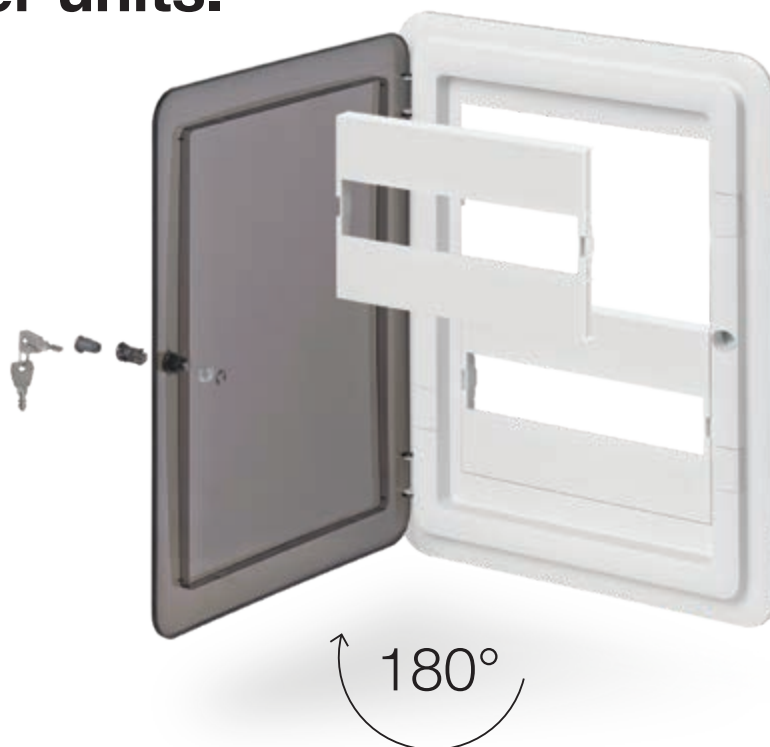
Simple silhouettes, a smooth profile with rounded corners. For the whole range, the door comes in both the all-white version, which is camouflaged against the wall, and the extra stylish and sophisticated translucent smoky grey version. Extensive range of modular designs from 8 to 72 modules.

Direct access to devices and easy to remove cover.

On the 24+ modules range, there is no need to remove the frame and door to access the devices installed. Moreover, thanks to the front fixing seats, the frame is easy to remove.

A single cover with 180° opening.

The perfect symmetry between the frame and the mounting box means there is only one door that can be opened from the right or left simply by rotating it, always ensuring 180° opening.



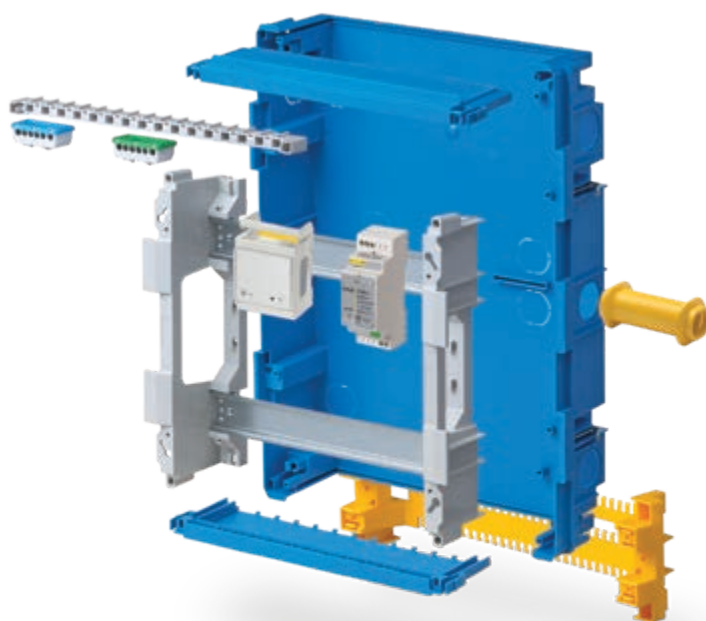
Simplified levelling.

The retractable flap, when the control unit is installed, provides access to the fasteners without removing the frame, making it much easier to level the frame.



Dual closure: you choose.

With the magnetic block, supplied as standard, or with a key-operated lock. To preserve the linear uniformity of the design or to ensure device access is limited to authorised personnel.



Flexible use and a broad range of accessories.

The module rails can be adjusted to two depths, to install both standard DIN modules and deeper devices. Terminal block supports fitted with special snap-fitting runners to be fixed either to the top and bottom wall (boxes with 24+ modules also have two dual-depth fasteners). Moreover, thanks to the flange and the coupling joint to be installed outside the box, several boxes can be installed in series either horizontally or vertically.

Mounting boxes for consumer units on masonry and plasterboard walls.

> Mounting boxes for flush mounting consumer units for masonry and plasterboard walls.

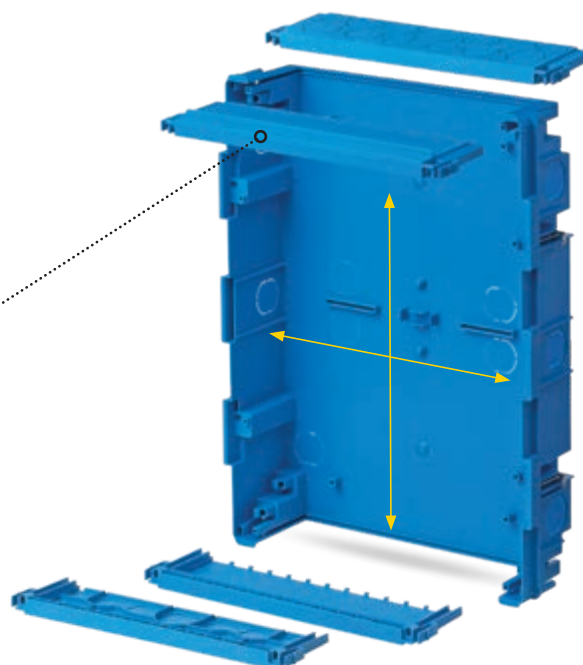
Strong structure, with plenty of inner room for wiring cables, a series of top-performing characteristics that make the installer's life in construction sites easier.

Removable walls.

The top and bottom walls can be removed completely for partial or total knockout, which allows the corrugated pipes to be fed through.

Installation even in dividing walls.

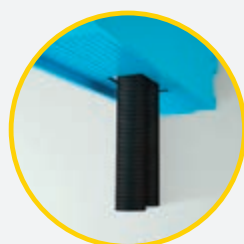
The different box depths - 8 cm for those up to 36 modules, 10 cm for those with more - allow safe installation even in non-load-bearing walls.



Plenty of inner space.

Plenty of inner space to facilitate wiring activities and multiple large knockout holes both on the sides and on the base to facilitate and speed up the feeding of corrugated pipes.

Mounting boxes for masonry walls.



Outstanding stability.

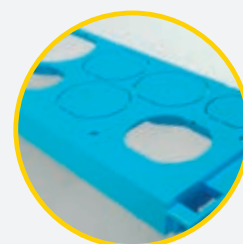
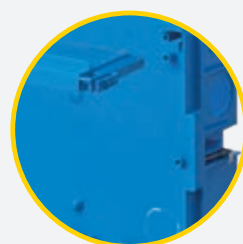
The special shape of the mounting box, specifically designed with side flanges, offers greater stability on the wall once construction work has been completed.

Anti-mortar cover supplied as standard.

Easier wiring.

The top and bottom walls have grid knockouts that allow full or partial opening of the wall for the feeding of various quantities of corrugated pipes. In any case, the residual profile preserves the strength and tightness of the box.

Mounting boxes for plasterboard walls.



Fixing guaranteed.

The progressive tightening screws guarantee perfect anchoring of the box in the plasterboard wall. To compensate for any imperfections in the hole, while guaranteeing professional installation, additional fins are also supplied for greater stability.

The wall drilling template is supplied as standard.

Quick insertion of corrugated pipes.

The knockout holes of various sizes in the top and bottom walls can be opened without tools and provide strong support for feeding corrugated pipes with a diameter of 25, 32 and 40 mm. In any case, the residual profile preserves the strength and tightness of the box.

Isobox: flush mounting boxes	18
Isobox: flush mounting junction boxes	24
Isoset: IP40 and IP55 surface mounting boxes	32
Surface mounting boxes	37
Table mounting boxes	39
Surface mounting junction boxes	41
Floor mount turret	45
Consumer units	46

Isobox: flush mounting boxes

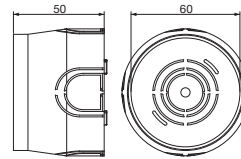
Flush mounting boxes for masonry



V71001
Round \varnothing 60 mm
(GW 650 °C), light blue



V71001.AU
Round \varnothing 60 mm
(GW 960 °C), black



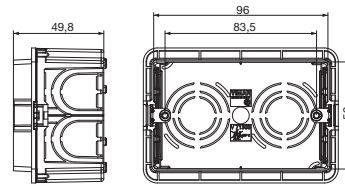
V71001, V71001.AU



V71303
(GW 650 °C), light blue
- 3 modules



V71303.AU
(GW 960 °C), black
- 3 modules



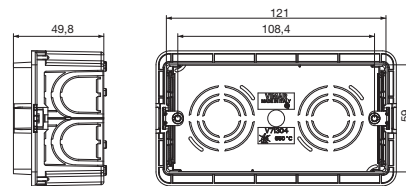
V71303, V71303.AU



V71304
(GW 650 °C), light blue
- 4 modules



V71304.AU
(GW 960 °C), black
- 4 modules



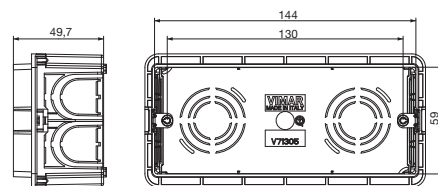
V71304, V71304.AU



V71305
(GW 650 °C), light blue
- 5 modules



Δ V71305.AU
(GW 960 °C), black
- 5 modules



V71305, V71305.AU



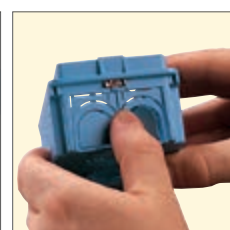
Dividing screen to realize modular and electrically separated compartments



Knockouts on all sides to accommodate differently sized conduits

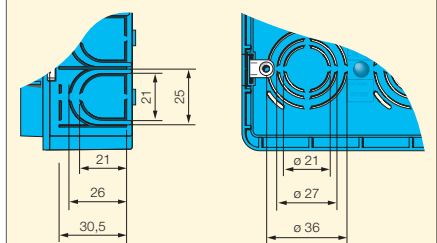


Precise back to back positioning, thanks to marking and stopping pins



Knockouts fixed to the box in two points only

Cable entry dimensions



BOXES AND CONSUMER UNITS

Isobox: flush mounting boxes

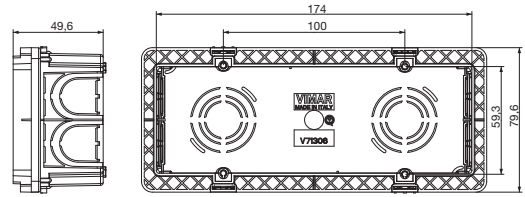
Flush mounting boxes for masonry



V71306
(GW 650 °C), light blue
- 6/7 modules



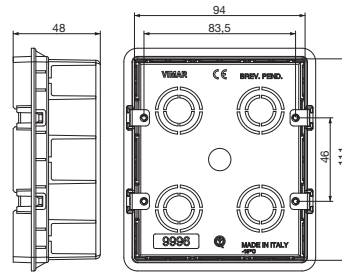
V71306.AU
(GW 960 °C), black
- 6/7 modules



V71306, V71306.AU



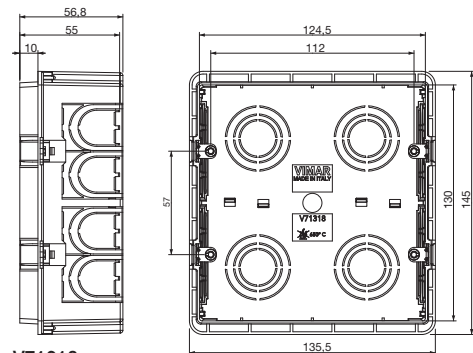
09996
(GW 650 °C), light blue
- 6 (3+3) modules



09996



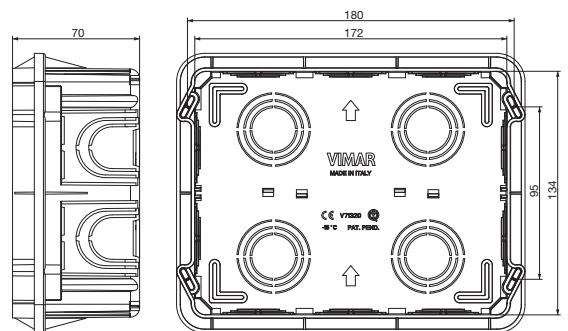
V71318
(GW 650 °C), light blue
- 8 modules



V71318



V71320
(GW 650 °C), light blue
- 12/14 modules



V71320

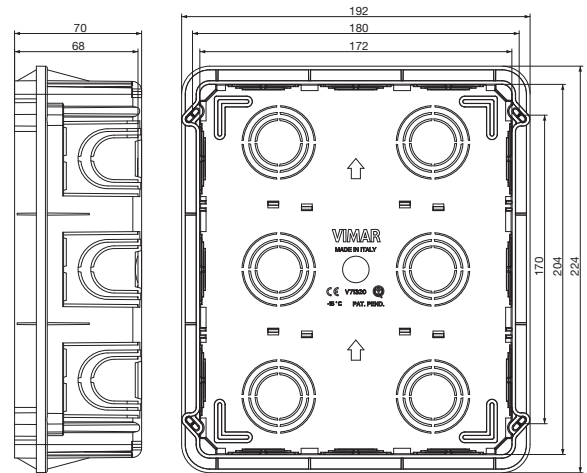
BOXES AND CONSUMER UNITS

Isobox: flush mounting boxes

Flush mounting boxes for masonry



V71321
(GW 650 °C), light blue
- 18/21 modules



V71321

Antimortar protective covers for flush mounting masonry boxes



V71011
Cover for V71001 and
V71001.AU, yellow



V71323
Cover for V71303 and
V71303.AU, yellow



V71324
Cover for V71304 and
V71304.AU, yellow



Δ V71325
Cover for V71305 and
V71305.AU, yellow



V71326
Cover for V71306 and
V71306.AU, yellow



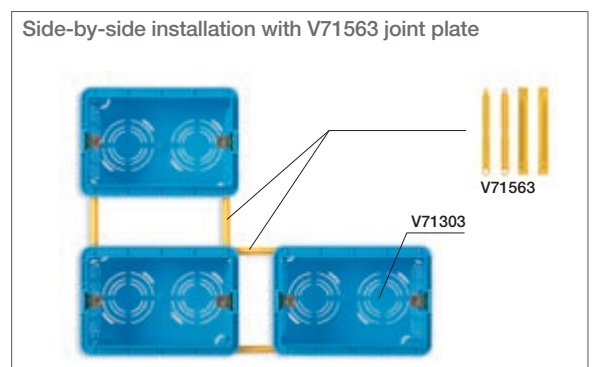
V71328
Cover for V71318 and
V71718, yellow

Accessories for flush mounting masonry boxes



V71563
Coupling joints for both horizontal and
vertical compositions in flush-mounting
boxes V71303, V71303.AU, V71304,
V71304.AU, V71305, V71305.AU,
V71306, V71306.AU. Length 58,2 mm,
yellow

Side-by-side installation with V71563 joint plate

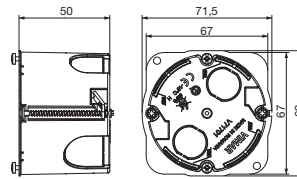


Isobox: flush mounting boxes

Flush mounting boxes for hollow walls



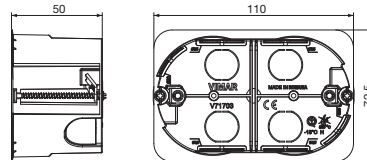
V71701
Round \varnothing 60 mm (GW 850 °C),
light blue, suitable only for
mounting frames without claws



V71701



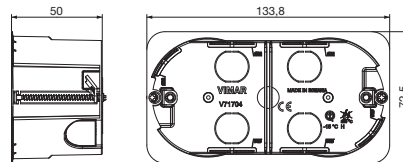
V71703
(GW 850 °C), light blue
- 3 modules



V71703



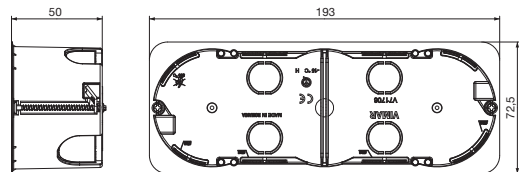
V71704
(GW 850 °C), light blue
- 4 modules



V71704



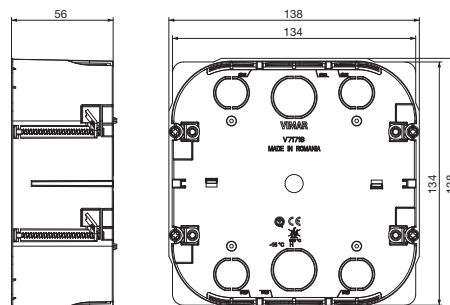
V71706
(GW 850 °C), light blue
- 6/7 modules



V71706



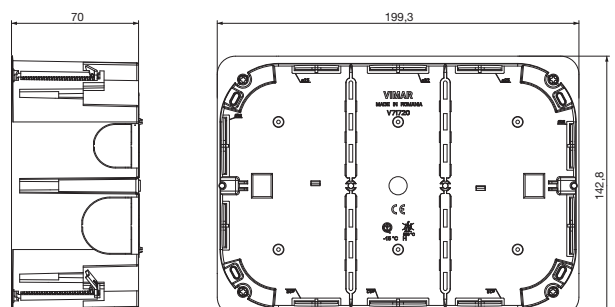
V71718
(GW 850 °C), light blue
- 8 modules



V71718



V71720
Multifunction (GW 850 °C), light blue.
Casing for ordinary use (GP)
- 12/14 modules



V71720

Isobox: flush mounting boxes

Multifunction accessories for hollow walls flush mounting boxes



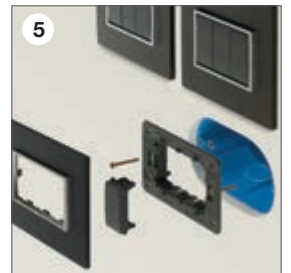
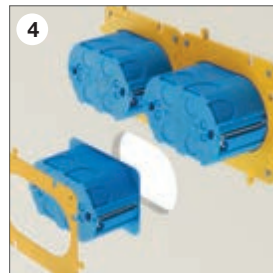
V71571
Support for installing boxes V71701 on light walls inside the wall, yellow:
• centring template;
• coupling joint for mounting boxes in horizontal and vertical banks



V71573
Support for installing boxes V71703 on light walls inside the wall, yellow:
• centring template;
• coupling joint for mounting boxes in horizontal and vertical banks



V71574
Support for installing boxes V71704 on light walls inside the wall, yellow:
• centring template;
• coupling joint for mounting boxes in horizontal and vertical banks



1. and 2. Use the **V71573** accessory as a template for a precise drilling.
3. Remove with a cutter or scissors the central grid. The accessory can also be used as a tie.
4. When box positioned, fix it to the hollow wall with screws for plasterboard.
5. The result is a flush profile.

Accessories for flush mounting masonry and hollow wall boxes



V71550
Dividing screen for boxes V71303..., V71304..., V71305..., V71306..., V71703, V71704, V71706, yellow



V71551
Horizontal dividing screen for boxes V71320, V71321, V71620, V71720, 09920..., 09921..., yellow. Allows to realize electrically separated compartments inside the box



V71552
Horizontal dividing screen for boxes V71318 and V71718, yellow. Allows to realize electrically separated compartments inside the box

Covers for flush mounting masonry and hollow wall boxes



O2645
Round, \varnothing 76 mm, with claws for \varnothing 55-70 mm boxes, urea resin, white



O2646
Round, \varnothing 94 mm with claws for \varnothing 75-85 mm boxes, urea resin, white



O2647
Square, 82x82 mm, with claws for \varnothing 55-70 mm boxes, urea resin, white



O2648
Square, 101x101 mm with claws for \varnothing 75-85 mm boxes, urea resin, white



O2653
Rectangular, with screws for V71303... boxes, urea resin, white. Fixing centres at 83,5 mm



V71630
Rectangular, with screws for V71320 and V71720 boxes, white

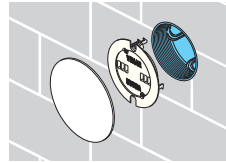
Isobox: flush mounting boxes

Flush-to-wall covers for flush mounting masonry and hollow wall boxes

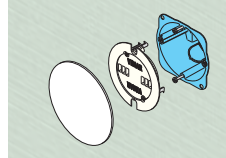


V71632
Flush-to-wall cover for 2-module boxes, white

Fixing method

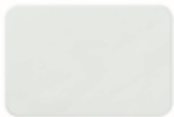


Masonry walls.
The box mounting frame is fastened **using claws**, while the cover snaps into the mounting frame without leaving any screws visible.



Hollow walls.
The box mounting frame is fastened **using screws**, while the cover snaps into the mounting frame without leaving any screws visible.

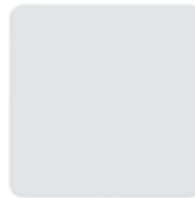
Flush-to-wall covers for flush mounting masonry and hollow wall boxes



V71633
Flush-to-wall cover for 3-module boxes, white



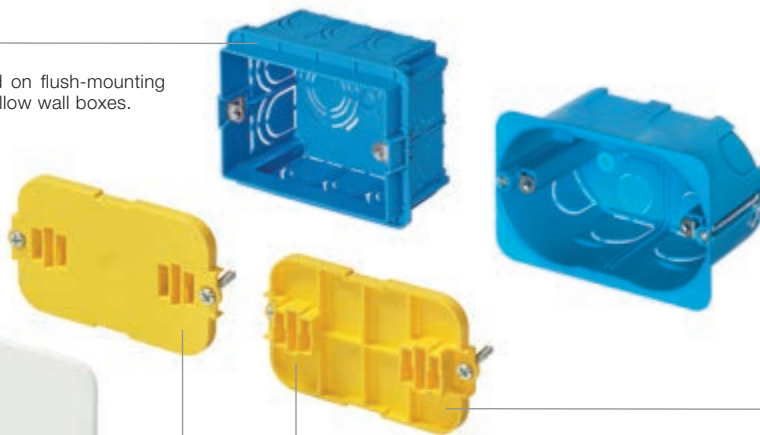
V71634
Flush-to-wall cover for 4-module boxes, white



V71631
Cover for V71318 and V71718 boxes, snap fixing to V71328 antimortar cover (provided), white

Flush-to-wall cover: installation on flush mounting boxes

Compatibility.
Can be installed on flush-mounting masonry and hollow wall boxes.

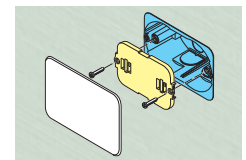
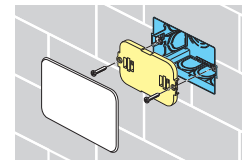


Reversible mounting frame.
The mounting frame can be installed on both sides, depending on the box installation depth.

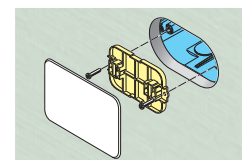
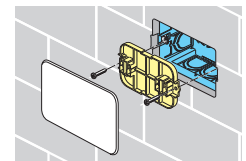
Cover.
The cover is installed on the mounting frame using a snap-on system, which ensures that the installation is solid, with optimal aesthetic performance as there are no screws.

Maximum aesthetic performance.
As the cover protrudes very little, can be painted and has a smooth surface, it is invisible even when installed in full view.

Installation with standard box depth



Installation with increased box depth

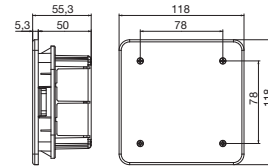


Isobox: flush mounting junction boxes

Flush mounting junction boxes for masonry



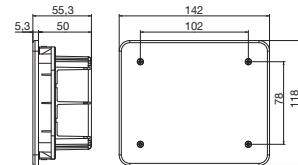
V70001
With white cover, antimortar cover and fixing screws. Box dimensions: 92x92x50 mm



V70001



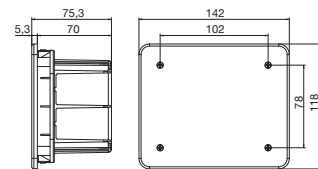
V70002
With white cover, antimortar cover and fixing screws. Box dimensions: 116x92x50 mm



V70002



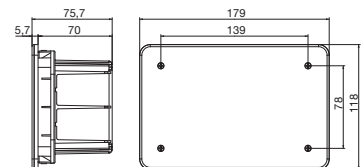
V70003
With white cover, antimortar cover and fixing screws. Box dimensions: 116x92x70 mm



V70003



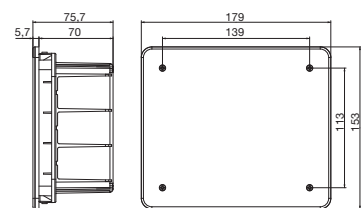
V70004
With white cover, antimortar cover and fixing screws. Box dimensions: 154x92x70 mm



V70004



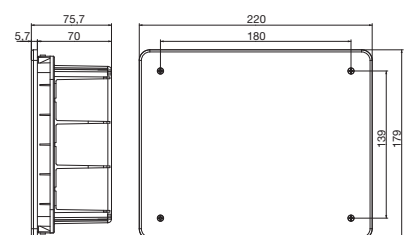
V70005
With white cover, antimortar cover and fixing screws. Box dimensions: 154x128x70 mm



V70005



V70006
With white cover, antimortar cover and fixing screws. Box dimensions: 195x154x70 mm
Dissipated power: 13 W



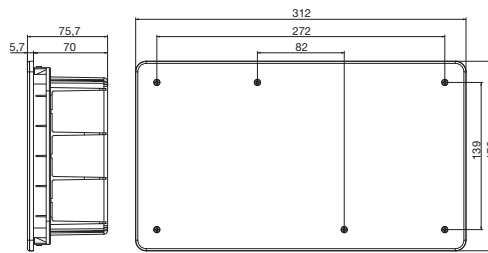
V70006

Isobox: flush mounting junction boxes

Flush mounting junction boxes for masonry



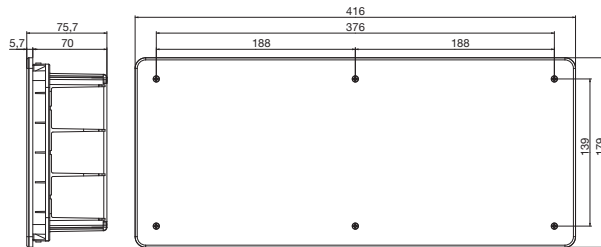
V70007
With white cover, antimortar cover and fixing screws. Box dimensions: 287x154x70 mm
Dissipated power: 24 W



V70007



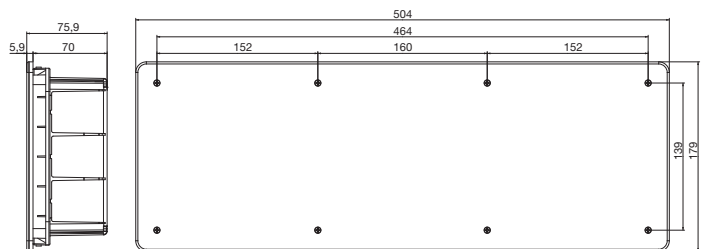
V70008
With white cover, antimortar cover and fixing screws. Box dimensions: 391x154x70 mm
Dissipated power: 30 W



V70008



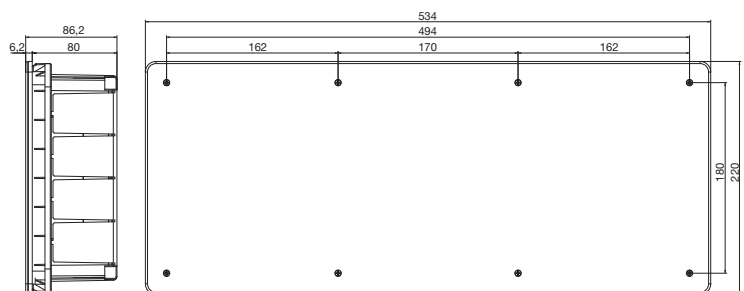
V70009
With white cover, antimortar cover and fixing screws. Box dimensions: 479x154x70 mm
Dissipated power: 33 W



V70009



V70010
With white cover, antimortar cover and fixing screws. Box dimensions: 515x201x80 mm
Dissipated power: 54 W



V70010

BOXES AND CONSUMER UNITS

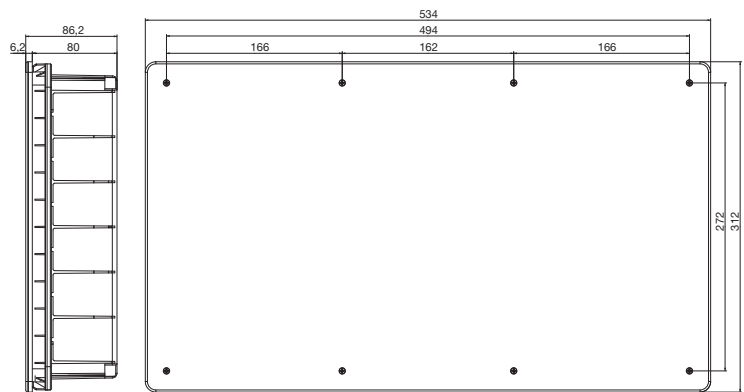
Isobox: flush mounting junction boxes

Flush mounting junction boxes for masonry



V70011

With white cover, antimortar cover and fixing screws.
Box dimensions: 515x292x80 mm, 5 dividing screens supplied.
Dissipated power: 64 W

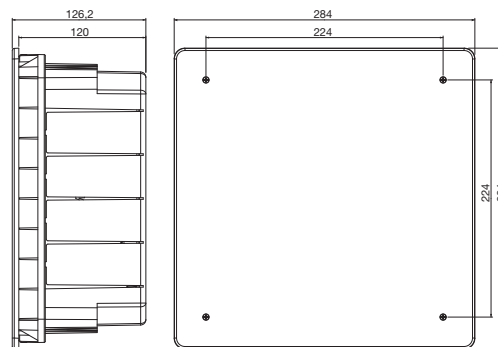


V70011



V70207

With white cover, antimortar cover and fixing screws.
Box dimensions: 248x248x120 mm, 1 dividing screens supplied.
Dissipated power: 26 W

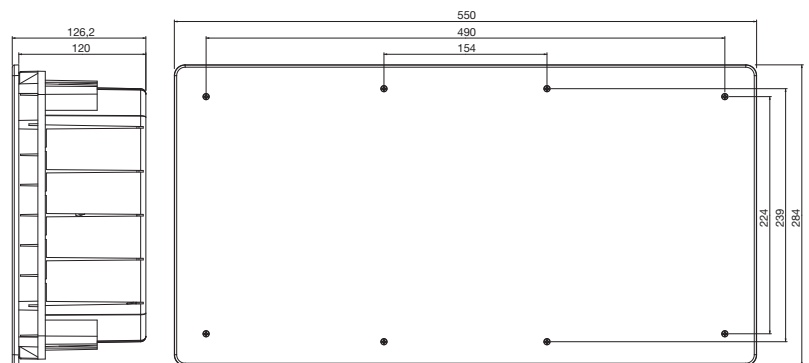


V70207



V70211

With white cover, antimortar cover and fixing screws.
Box dimensions: 515x248x120 mm, 4 dividing screens supplied.
Dissipated power: 69 W



V70211

BOXES AND CONSUMER UNITS

Isobox: flush mounting junction boxes

Highly shock resistant cover 20 J for masonry junction boxes



V70101
Cover for V70001



V70102
Cover for V70002
and V70003



V70104
Cover for V70004



V70105
Cover for V70005



V70106
Cover for V70006



V70107
Cover for V70007



V70108
Cover for V70008



V70109
Cover for V70009



V70110
Cover for V70010



V70111
Cover for V70011



V70311
Cover for V70211



V70307
Cover for V70207

Isobox: flush mounting junction boxes

IP55 covers for masonry junction boxes



V72105
Cover for V70005

V72106
Cover for V70006

V72107
Cover for V70007

IP55 covers: with gasket for installation where there is dust, humidity or water.



Accessories for masonry junction boxes



V70181
Dividing screen for V70006, V70007, V70008, V70009, V70010, yellow



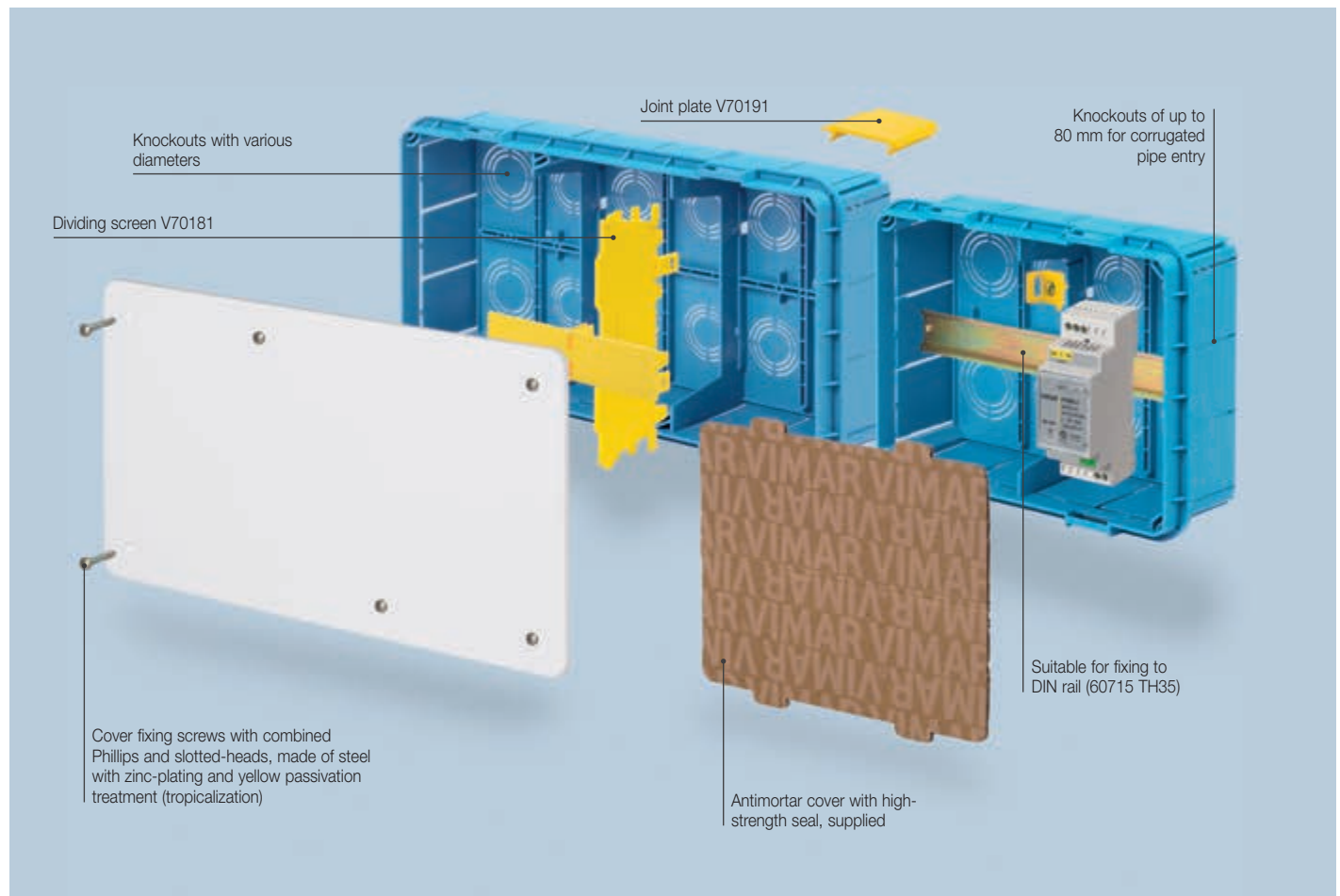
V70191
Joint plate for junction boxes, yellow



V70198
Screw, 30 mm long, for cover fixing



V70199
Screw, 50 mm long, for cover fixing



Isobox: flush mounting junction boxes

Flush mounting junction boxes for masonry

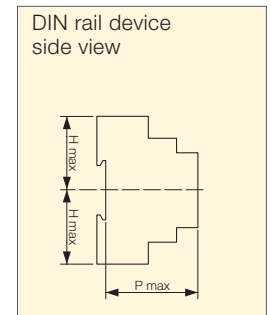
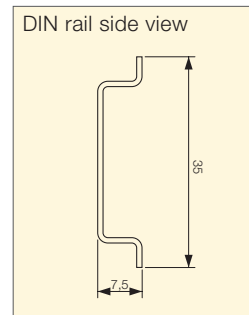
Matching possibilities through joint plate V70191

Flush depth (mm)	Cover height (mm)	Diagram	
50	118		V70001 V70002
70	118		V70003 V70004
70	179		V70004 V70005 V70006 V70007 V70008 V70009
120	248		V70207 V70211

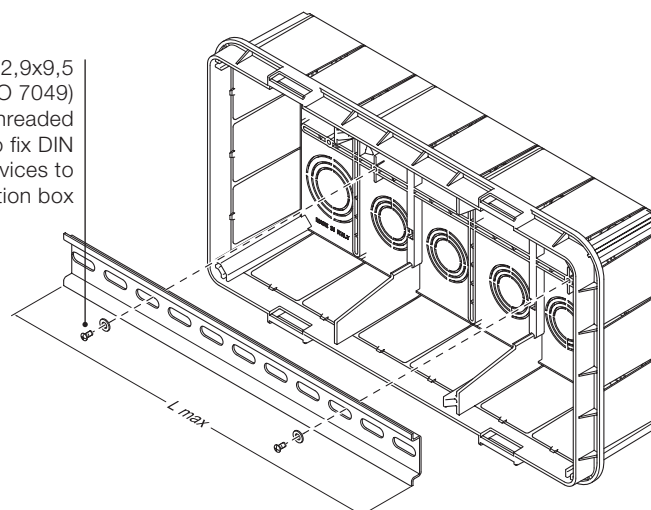
Outer dimensions of installable devices and dissipated power

Junction box code	DIN rail length (L max)	Devices depth (P max)	Devices height (H max)	Dissipated power (Watt)
V70006	179	55	45	13
V70007	271	55	45	24
V70008	375	55	45	30
V70009	463	55	45	33
V70010	498	60	45	54
V70011	498	60	45	64
V70207	235	100	75	26
V70211	235	100	75	69

DIN rail: TH 35-7,5 hat-section (according to EN 60715 Standard)



Use ST 2,9x9,5 (EN ISO 7049) auto-threaded screws to fix DIN rail and devices to junction box

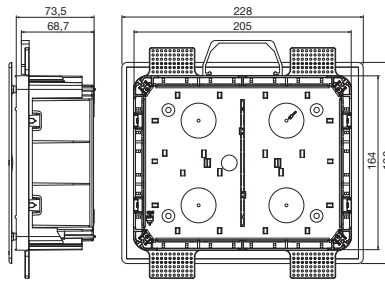


Isobox: flush mounting junction boxes

Flush mounting junction boxes for hollow walls



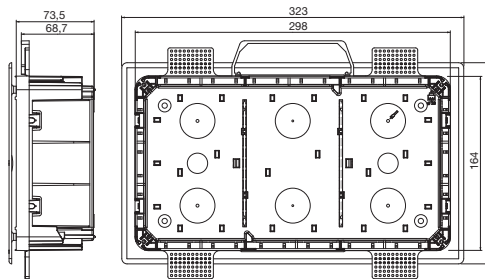
V72006
With white cover.
Box dimensions: 205x164x73,5 mm
Cover dimensions: 228x190 mm
Dissipated power: 17 W



V72006



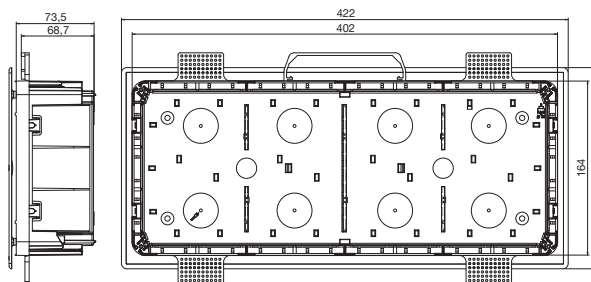
V72007
With white cover.
Box dimensions: 298x164x73,5 mm
Cover dimensions: 323x190 mm
Dissipated power: 25 W



V72007



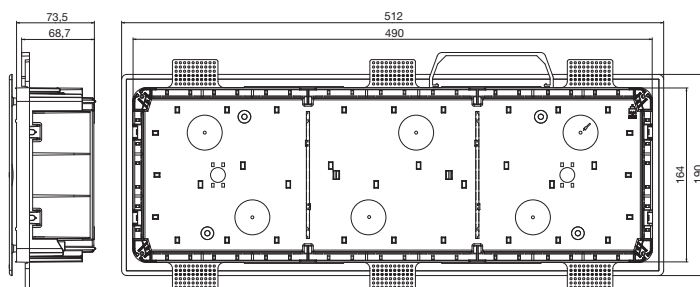
V72008
With white cover.
Box dimensions: 402x164x73,5 mm
Cover dimensions: 422x190 mm
Dissipated power: 35 W



V72008



V72009
With white cover.
Box dimensions: 490x164x73,5 mm
Cover dimensions: 512x190 mm
Dissipated power: 40 W

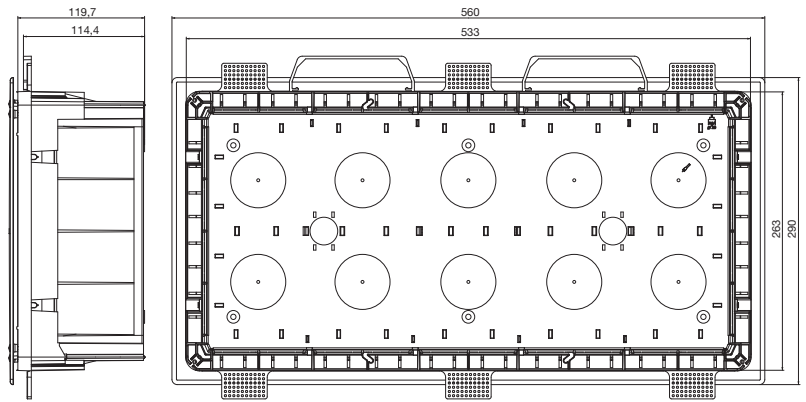


V72009

BOXES AND CONSUMER UNITS

Isobox: flush mounting junction boxes

Flush mounting junction boxes for hollow walls



V72211

With white cover.
Box dimensions: 533x263x119,7 mm
Cover dimensions: 560x290 mm
Dissipated power: 70 W

V72211

Flush mounting junction boxes for hollow walls

Code	Dimensions (mm)	Size	DIN module number	Dissipated power (Watt)
V72006	205x164x73,5	6	8 (4+4)	17
V72007	298x164x73,5	7	12 (4+4+4)	25
V72008	402x164x73,5	8	16 (4+4+4+4)	35
V72009	490x164x73,5	9	21 (7+7+7)	40
V72211	533x263x120	11 high capacity	26	70

Outer dimensions of installable devices

Junction box code	DIN rail length (L max - mm)	Devices depth (P max - mm)	Devices height (H max - mm)
V72006	copressed	60	110
V72007	copressed	60	110
V72008	copressed	60	110
V72009	copressed	60	110
V72211	470	92,5	150

Accessories for flush mounting junction boxes for hollow walls



V70181
Dividing screen for V70006, V70007, V70008, V70009, V70010, yellow



V70191
Joint plate for junction boxes, yellow



V70198
Screw, 30 mm long, for cover fixing



V70199
Screw, 50 mm long, for cover fixing

Isoset: IP40 and IP55 surface mounting boxes

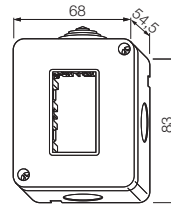
IP40 boxes



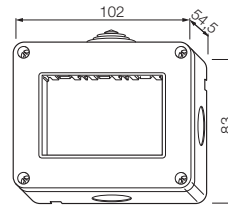
14801
1-module



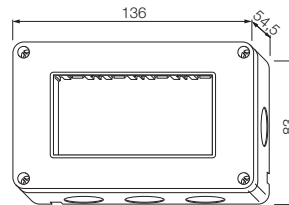
14802
2-module,
horizontal and vertical
device fixing



14803
3-module



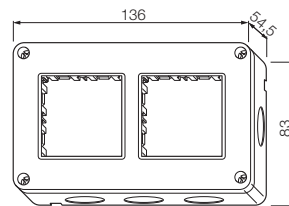
14804
4-module



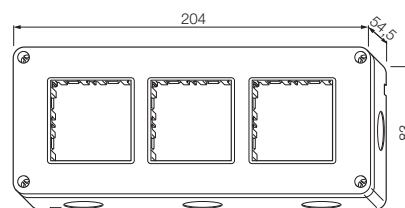
14812
4-module (2+2),
horizontal and vertical
device fixing



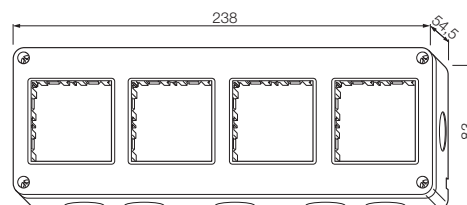
In the same box it is possible the horizontal and vertical device fixing.



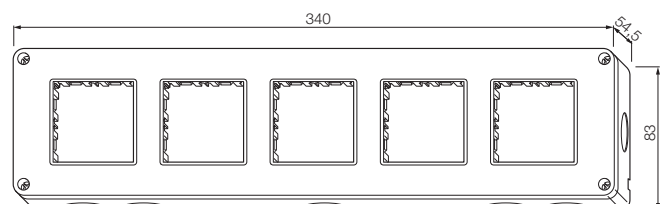
14813
6-module (2+2+2),
horizontal and vertical
device fixing



14814
8-module (2+2+2+2),
horizontal and vertical
device fixing



14815
10-module (2+2+2+2+2),
horizontal and vertical
device fixing



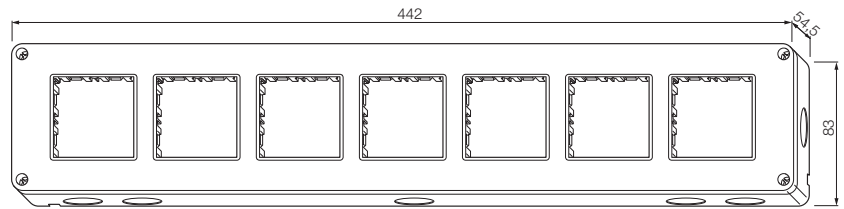
BOXES AND CONSUMER UNITS

Isoset: IP40 and IP55 surface mounting boxes

IP40 boxes



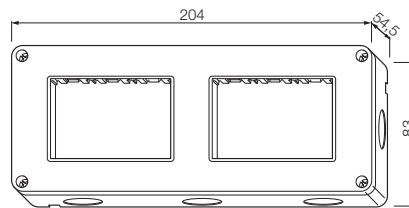
14817
14-module (2+2+2+2+2+2),
horizontal and vertical device
fixing



14817



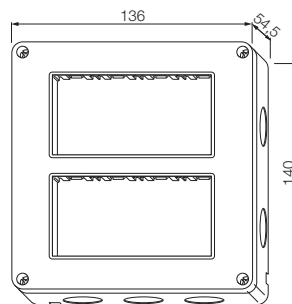
14827
6-module (3+3 in horizontal)



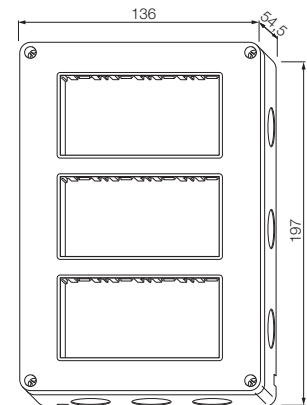
14827



14832
8-module (4+4 in vertical)



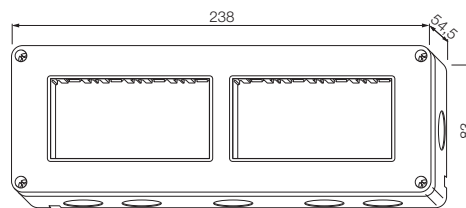
14832



14833



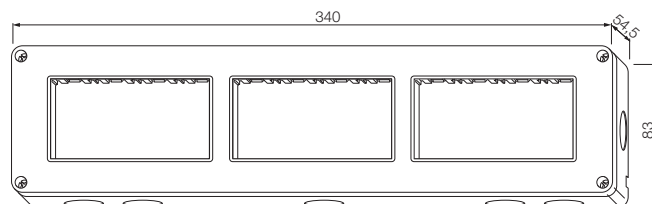
14833
12-module (4+4+4 in vertical)



14837



14837
8-module (4+4 in horizontal)



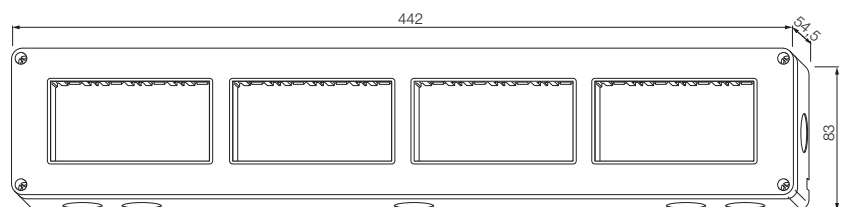
14838



14838
12-module (4+4+4 in horizontal)



14839
16-module (4+4+4+4 in horizontal)



14839

BOXES AND CONSUMER UNITS

Isoset: IP40 and IP55 surface mounting boxes

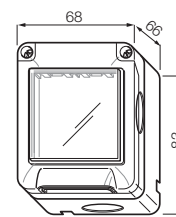
IP55 boxes



14901
1-module



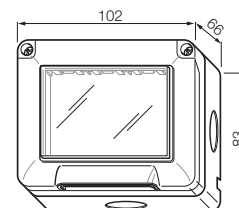
14902
2-module



14901, 14902



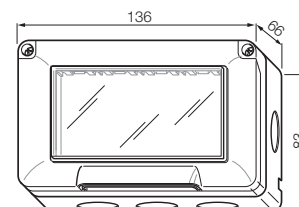
14903
3-module



14903



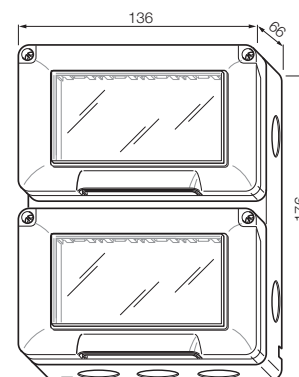
14904
4-module



14904



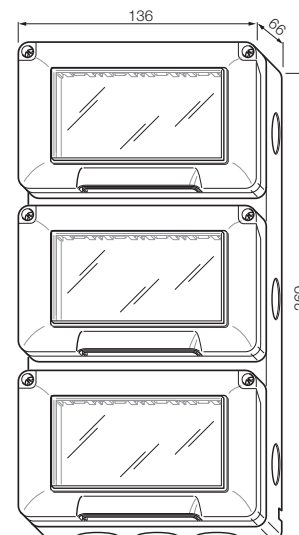
14912
8-module (4+4 in vertical)



14912



14913
12-module (4+4+4 in vertical)



14913

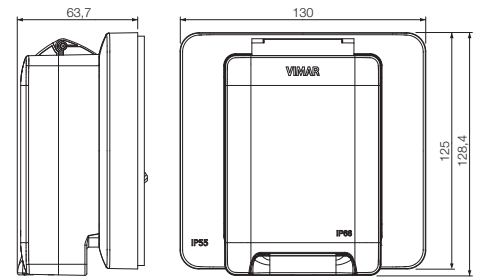
BOXES AND CONSUMER UNITS

Isoset: IP40 and IP55 surface mounting boxes

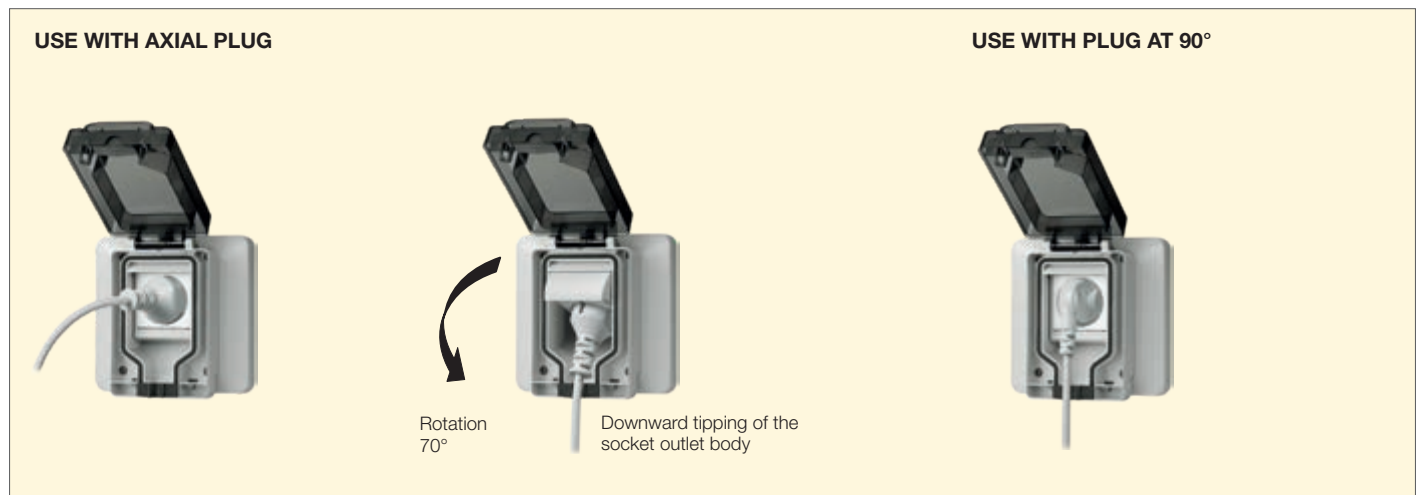
IP55 flush mounting boxes



14963
With inserted plug,
2 Eikon, Arke and Plana
modules, for installation on
3-module flush mounting box



14963



BOXES AND CONSUMER UNITS

Isoset: IP40 and IP55 surface mounting boxes

Isoset IP55 covers



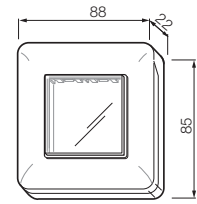
14931
with claws for
ø 60 mm box,
RAL 7035 grey
- 2 modules



14931.01
with claws for
ø 60 mm box,
white
- 2 modules



14931.14
with claws for
ø 60 mm box,
granite grey
- 2 modules



14931...



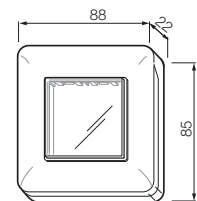
14932
with screws, for 60 mm
distance between centres
box, RAL 7035 grey
- 2 modules



14932.01
with screws, for 60 mm
distance between centres
box, white
- 2 modules



14932.14
with screws, for 60 mm
distance between centres
box, granite grey
- 2 modules



14932...



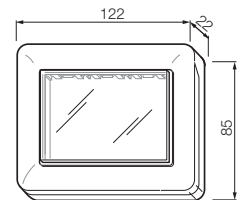
14943
with screws, for
3-module box,
RAL 7035 grey
- 3 modules



14943.01
with screws, for
3-module box, white
- 3 modules



14943.14
with screws, for
3-module box, granite
grey - 3 modules



14943...



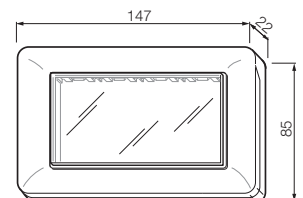
14944
with screws, for
4-module box,
RAL 7035 grey
- 4 modules



14944.01
with screws, for
4-module box, white
- 4 modules



14944.14
with screws, for
4-module box, granite
grey - 4 modules



14944...

Surface mounting boxes

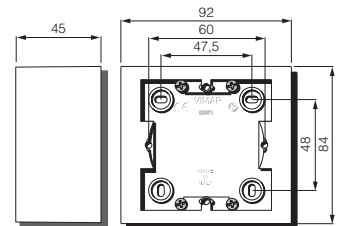
Surface mounting boxes



09971.A
Square, for 1- or 2-reduced-module Idea, 1- or 2-module Plana and 2-module Eikon, RAL 9001 ivory.
Idea series: suitable only for Classica cover plate. Eikon series: suitable only for Chrome cover plate



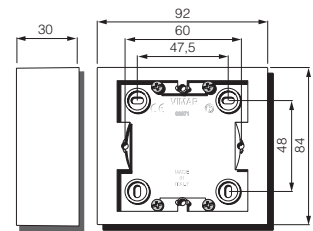
09971.01
Square, for 1- or 2-reduced-module Idea, 1- or 2-module Plana and 2-module Eikon, white.
Idea series: suitable only for Classica cover plate. Eikon series: suitable only for Chrome cover plate



09971...



09972.01
Square, for 1- or 2-module Plana and 2-module Eikon, white.
Eikon series: suitable only for Chrome cover plate



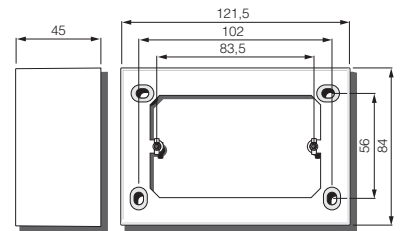
09972...



09975.A
Rectangular, for 3-module Eikon, Idea and Plana, RAL 9001 ivory.
Idea series: suitable only for Classica cover plate. Eikon series: suitable only for Chrome cover plate



09975.01
Rectangular, for 3-module Eikon, Idea and Plana, white.
Idea series: suitable only for Classica cover plate. Eikon series: suitable only for Chrome cover plate



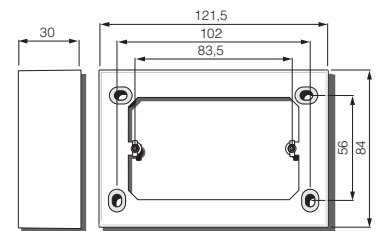
09975...



09976.04
Rectangular, for 3-module Eikon, Idea and Plana, Idea white.
Idea series: suitable only for Classica cover plate. Eikon series: suitable only for Chrome cover plate



09976.14
Rectangular, for 3-module Eikon, Idea and Plana, Idea grey.
Idea series: suitable only for Classica cover plate. Eikon series: suitable only for Chrome cover plate



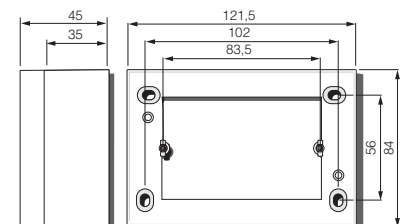
09976...



09983
Rectangular, for 3-module Eikon, Idea and Plana, grey. Idea series: suitable only for Classica cover plate. Eikon series: suitable only for Chrome cover plate



09983.01
Rectangular, for 3-module Eikon, Idea and Plana, white. Idea series: suitable only for Classica cover plate. Eikon series: suitable only for Chrome cover plate



09983...

Surface mounting boxes

Surface mounting boxes



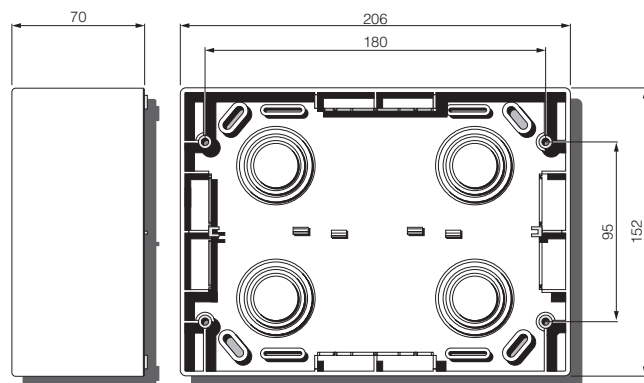
09920.01

Rectangular, for 12-(6+6)-module Idea or 14-(7+7)-module Eikon or Plana, white. Eikon series: suitable only for Chrome cover plate

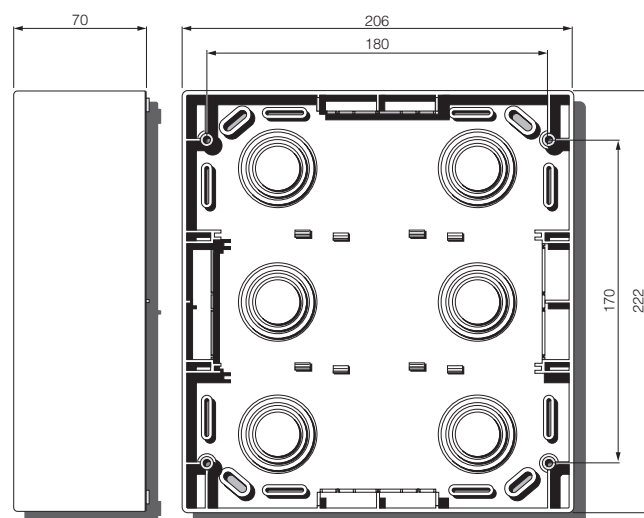


09921.01

Rectangular, for 18-(6+6+6)-module Idea or 21-(7+7+7)-module Eikon or Plana, white. Eikon series: suitable only for Chrome cover plate



09920...



09921.01

BOXES AND CONSUMER UNITS

Table mounting boxes

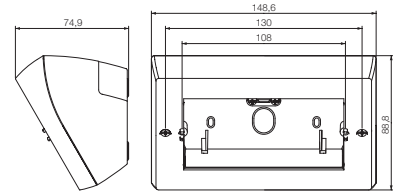
Eikon - Table mounting boxes to be completed with frame and cover plate



20784
4-module,
grey



20784.B
4-module,
white



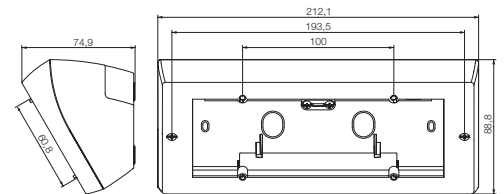
20784...



20787
7-module,
grey



20787.B
7-module,
white



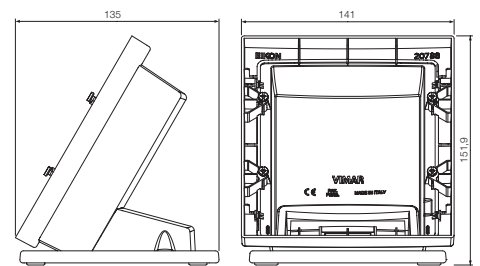
20787...



20788
8-module (4+4), with
frame to be completed
with cover plate,
grey



20788.B
8-module (4+4), with
frame to be completed
with cover plate,
white



20788...

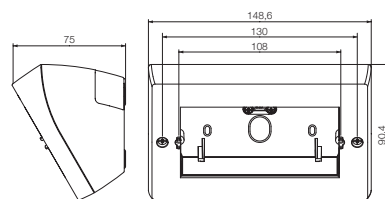
Arké - Table mounting boxes to be completed with frame and cover plate



19784
4-module,
white



19784.B
4-module,
Silver



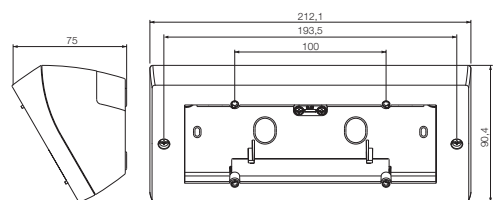
19784...



19787
7-module,
white



19787.B
7-module,
Silver



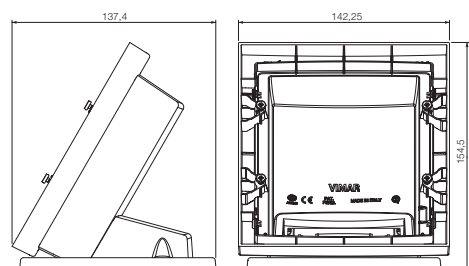
19787...



19788
8-module (4+4), with
frame to be completed
with cover plate,
white



19788.B
8-module (4+4), with
frame to be completed
with cover plate,
Silver



19788...

Table mounting boxes

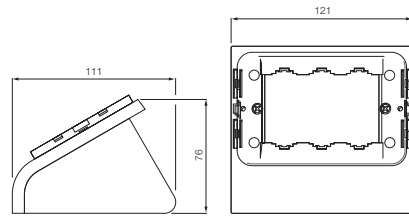
Idea - Tilted table mounting boxes with built-in frame to be completed with cover plates (only Classica)



16803
3-module,
grey



16803.B
3-module,
white



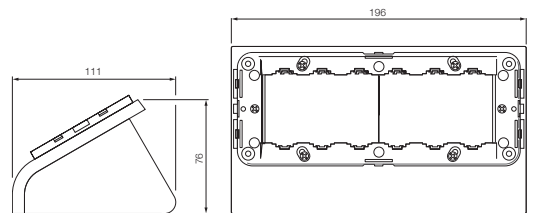
16803...



16806
6-module,
grey



16806.B
6-module,
white



16806...

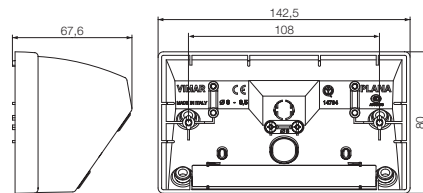
Plana - Tilted table mounting boxes to be completed with frame and cover plate



14784
4-module,
white



Δ 14784.SL
4-module,
Silver



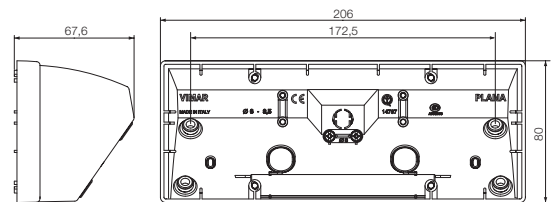
14784...



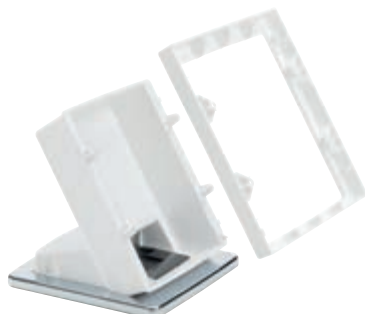
14787
7-module,
white



Δ 14787.SL
7-module,
Silver



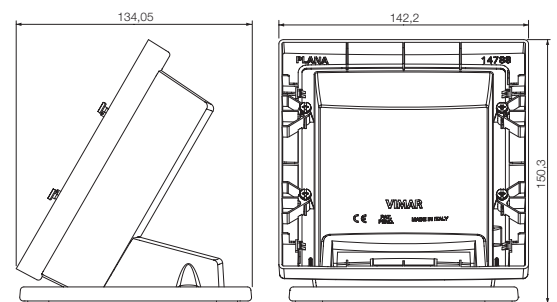
14787...



14788
8-module (4+4), with
frame to be completed
with cover plate),
white



Δ 14788.SL
8-module (4+4), with
frame to be completed
with cover plate,
Silver



14788...

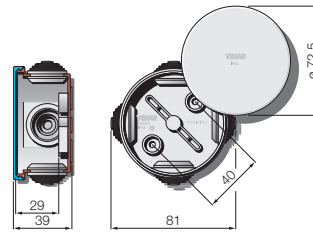
BOXES AND CONSUMER UNITS

Surface mounting junction boxes

Surface mounting junction box with cable entries and undrilled walls



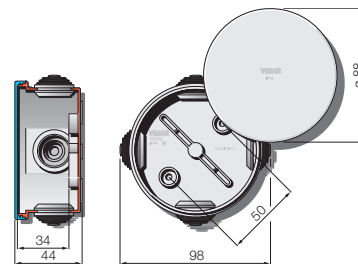
V55001
IP44, snap
closed cover,
RAL 7035 grey



V55001



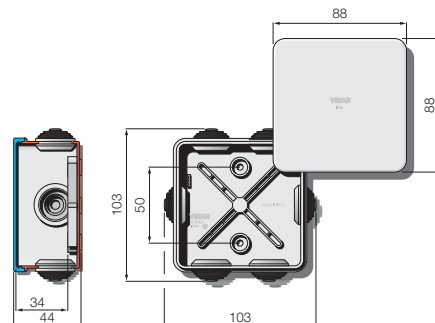
V55002
IP44, snap
closed cover,
RAL 7035 grey



V55002



V55003
IP44, snap
closed cover,
RAL 7035 grey



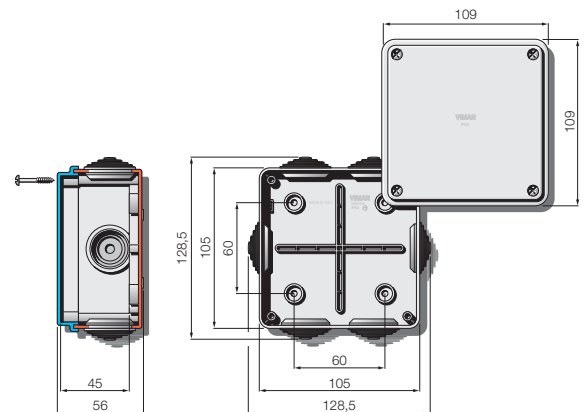
V55003



V55104
IP55, cover with
stainless steel screws,
RAL 7035 grey



V55204
IP56, cover with
stainless steel screws,
RAL 7035 grey



V55104

V55204

Surface mounting junction boxes

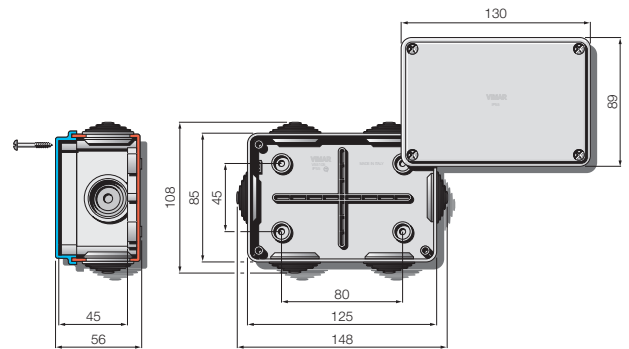
Surface mounting junction box with cable entries and undrilled walls



V55105
IP55, cover with stainless steel screws, RAL 7035 grey



V55205
IP56, cover with stainless steel screws, RAL 7035 grey



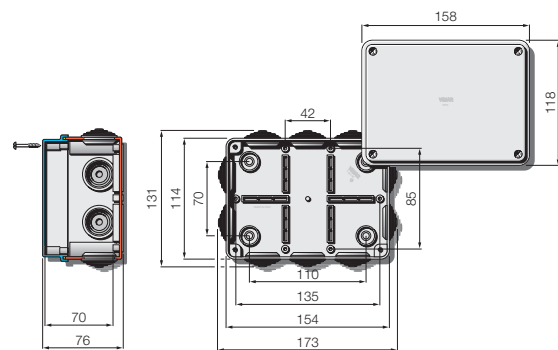
V55105
V55205



V55106
IP55, cover with stainless steel screws, RAL 7035 grey



V55206
IP56, cover with stainless steel screws, RAL 7035 grey



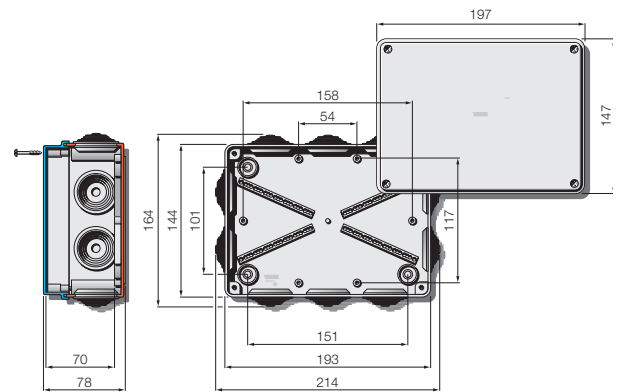
V55106
V55206



V55107
IP55, cover with stainless steel screws, RAL 7035 grey



V55207
IP56, cover with stainless steel screws, RAL 7035 grey



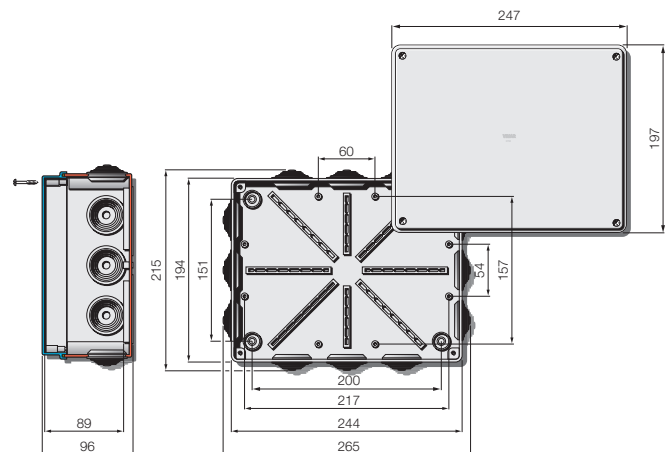
V55107
V55207



V55108
IP55, cover with stainless steel screws, RAL 7035 grey



V55208
IP56, cover with stainless steel screws, RAL 7035 grey



V55108
V55208

BOXES AND CONSUMER UNITS

Surface mounting junction boxes

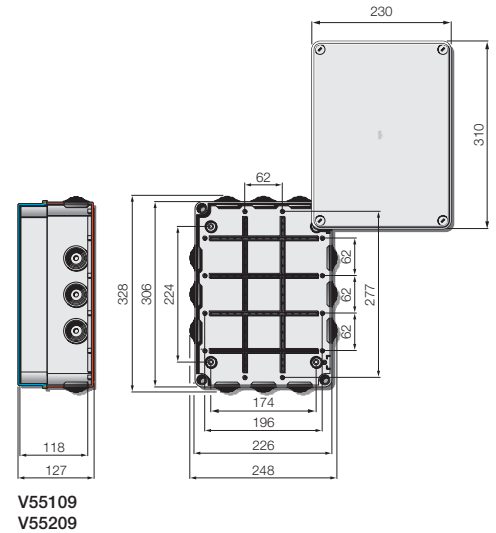
Surface mounting junction box with cable entries and undrilled walls



V55109
IP55, cover with insulating material screws,
RAL 7035 grey.
Supplied with two hinges



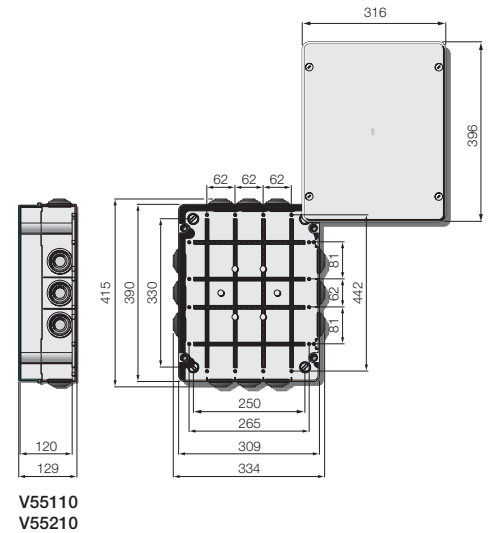
V55209
IP56, cover with insulating material screws,
RAL 7035 grey.
Supplied with two hinges



V55110
IP55, cover with insulating material screws,
RAL 7035 grey.
Supplied with two hinges



V55210
IP56, cover with insulating material screws,
RAL 7035 grey.
Supplied with two hinges



Complete insulation with the use of screwcaps.



Captive, stainless steel screws, to ease installation and maintenance.



Ribs on the box bottom to accommodate terminal blocks and plates. Seat for the terminal for the continuity of the earth circuit.

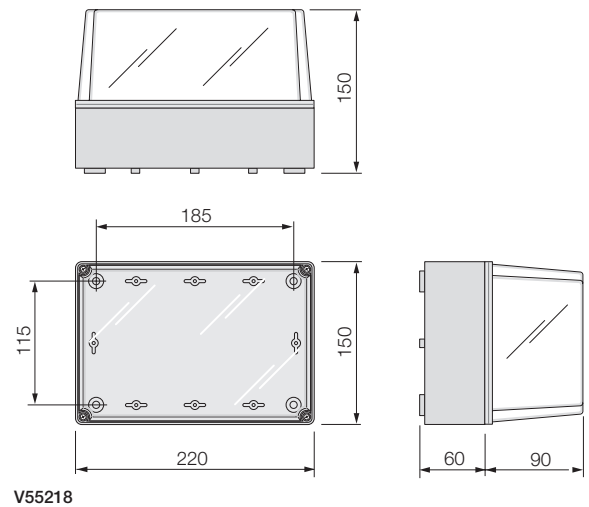
Surface mounting junction boxes

Surface mounting junction box with undrilled walls and high cover



V55218

IP55, cover with stainless steel screws, RAL 7035 grey



V55218

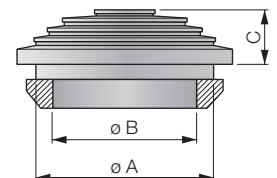
Surface mounting junction boxes

Temperature during installation	Glow Wire Test (GW)	With cable entries			cable max ϕ (in mm)	Undrilled walls and blind cover (IP56)	Undrilled walls and blind high cover (IP55)	Inner dimensions (in mm)
		snap fixing (IP44)	with screws (IP55)	number of cable entries				
-5 °C +60 °C	960 °C	V55001*	---	4	ϕ 20	---	---	ϕ 65x35
		V55002*	---	4	ϕ 20	---	---	ϕ 80x40
		V55003*	---	6	ϕ 20	---	---	80x80x40
		---	V55104*	6	ϕ 25	V55204*	---	100x100x50
		---	V55105*	6	ϕ 25	V55205*	---	120x80x50
-15 °C +60 °C	650 °C	---	V55106	10	ϕ 25	V55206	---	150x110x70
		---	V55107	10	ϕ 32	V55207	---	190x140x70
		---	---	---	---	---	V55218	220x150x150
		---	V55108	12	ϕ 32	V55208	---	240x190x90
		---	V55109	12	ϕ 40	V55209	---	300x220x120
		---	V55110	12	ϕ 40	V55210	---	380x300x120

* For total insulation according to Standard EN 60439-1, insert a screwcap V55900 in every fixing hole, into the provided seat.

Cable entries

Cable entry dimensions (in mm)	V55001	V55002	V55003	V55104	V55105	V55106	V55107	V55108	V55109	V55110
A	23	23	23	29	29	30	38	38	38	40
B	20	20	20	25	25	25	32	32	32	45
C	4	4	6	6	6	10	10	10	10	12



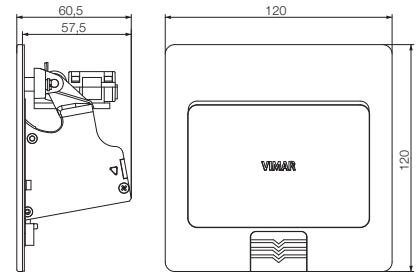
Floor mount turret

Floor mount turret



V54303

Floor mount turret for Eikon, Arké, Plana and Neve devices, for installation in V54903 box. Supplied with 3-module mounting frame

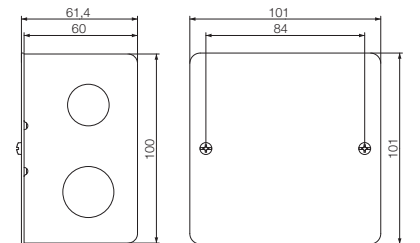


V54303



V54903

Flush box for floor mount turret - 3 modules
To complete with turret V54303



V54903

Consumer units

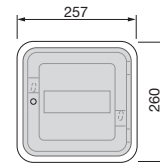
IP40 flush mounting consumer units



V53108
8 modules, delivered with DIN rail (60715 TH35), with transparent door, fumé



V53108.B
8 modules, delivered with DIN rail (60715 TH35), blind white door



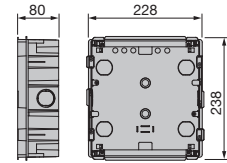
V53108
V53108.B



V53308
Mounting box for masonry - 8 modules, (GW 650 °C)
Dissipated power: 18 W



V53708
Mounting box for hollow walls - 8 modules, (GW 850 °C)
Dissipated power: 18 W



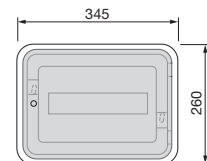
V53308
V53708



V53112
12 modules, delivered with DIN rail (60715 TH35), with transparent door, fumé



V53112.B
12 modules, delivered with DIN rail (60715 TH35), blind white door



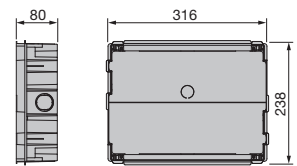
V53112
V53112.B



V53312
Mounting box for masonry - 12 modules, (GW 650 °C)
Dissipated power: 22 W



V53712
Mounting box for hollow walls - 12 modules, (GW 850 °C)
Dissipated power: 22 W



V53312
V53712

IP40 flush mounting consumer units and boxes - Accessories

Consumer units		Boxes		Accessories
Modules	Code	For masonry walls	For hollow walls	
8	V53108	V53308	V53708	V53561 Terminal block for 8 modules
12	V53112	V53312	V53712	V53562 Terminal block for 12, 24 and 36 modules
24	V53124	V53324	V53724	V53572 Dividing screen for 24 and 36 modules
36	V53136	V53336	V53736	V53582 Pipe clamp flange for 12, 24 and 36 modules
54	V53154	V53354	V53754	V53563 Terminal block for 54 and 72 modules
72	V53172	V53372	V53772	V53573 Dividing screen for 54 and 72 modules
				V53583 Pipe clamp flange for 54 and 72 modules

V53597
Lock with key

V53599
Blank strip

V53595
Joint plate

V53552...
Terminal block with screw

Consumer units

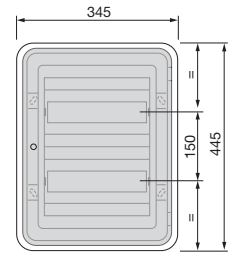
IP40 flush mounting consumer units



V53124
24 modules, delivered with DIN rail (60715 TH35), with transparent door, fumé



V53124.B
24 modules, delivered with DIN rail (60715 TH35), blind white door



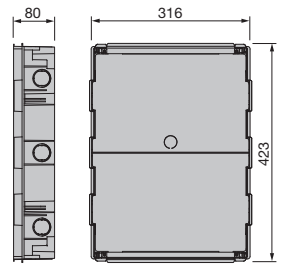
V53124
V53124.B



V53324
Mounting box for masonry - 24 modules, (GW 650 °C) Dissipated power: 40 W



V53724
Mounting box for hollow walls - 24 modules, (GW 850 °C) Dissipated power: 40 W



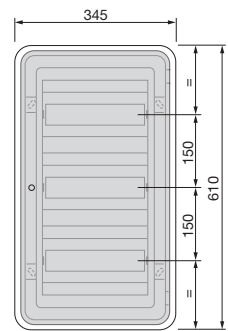
V53324
V53724



V53136
36 modules, delivered with DIN rail (60715 TH35), with transparent door, fumé



V53136.B
36 modules, delivered with DIN rail (60715 TH35), blind white door



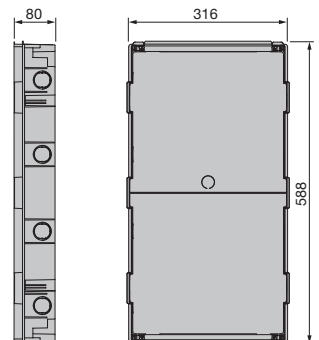
V53136
V53136.B



V53336
Mounting box for masonry - 36 modules, (GW 650 °C) Dissipated power: 50 W



V53736
Mounting box for hollow walls - 36 modules, (GW 850 °C) Dissipated power: 50 W



V53336
V53736

Consumer units

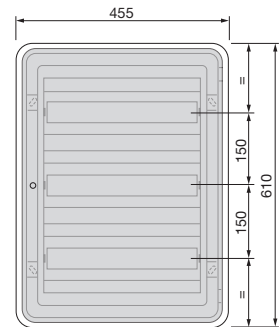
IP40 flush mounting consumer units



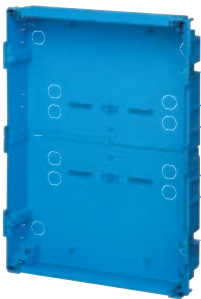
V53154
54 modules, delivered with DIN rail (60715 TH35), with transparent door, fumé



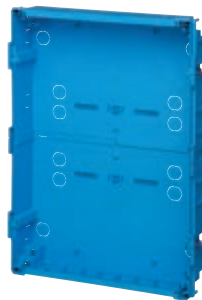
V53154.B
54 modules, delivered with DIN rail (60715 TH35), blind white door



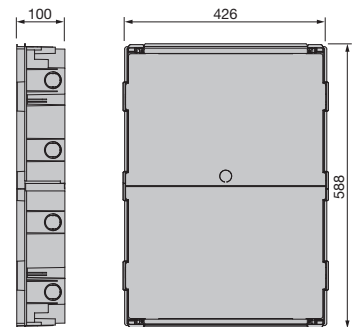
V53154
V53154.B



V53354
Mounting box for masonry - 54 modules, (GW 650 °C)
Dissipated power: 63 W



V53754
Mounting box for hollow walls - 54 modules, (GW 850 °C)
Dissipated power: 63 W



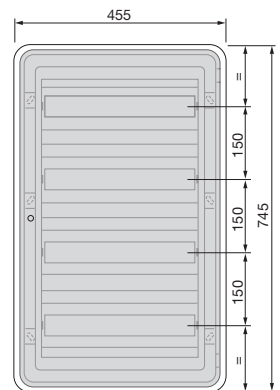
V53354
V53754



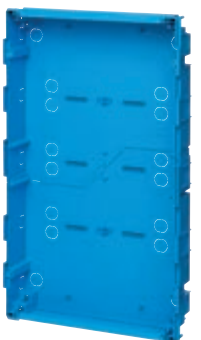
V53172
72 modules, delivered with DIN rail (60715 TH35), with transparent door, fumé



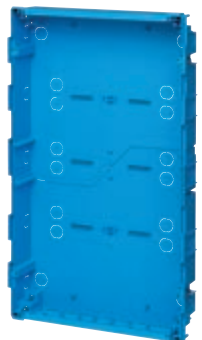
V53172.B
72 modules, delivered with DIN rail (60715 TH35), blind white door



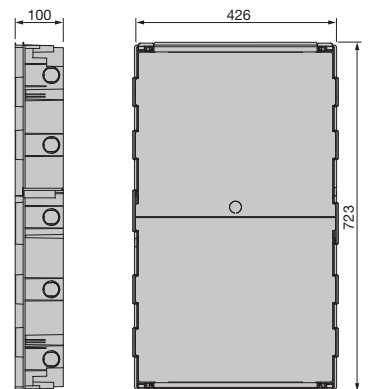
V53172
V53172.B



V53372
Mounting box for masonry - 72 modules, (GW 650 °C)
Dissipated power: 82 W



V53772
Mounting box for hollow walls - 72 modules, (GW 850 °C)
Dissipated power: 82 W



V53372
V53772

Consumer units

Accessories for IP40 flush mounting consumer units



V53572
12-module removable dividing screen for 24- and 36-module consumer units, to fix to the box, yellow



V53573
18-module removable dividing screen for 54- and 72-module consumer units, to fix to the box, yellow



V53595
Joint plate for consumer unit boxes, for horizontal installation, yellow



V53582
12-module removable pipe clamp flange useful for 12-, 24- and 36-module consumer units vertical installation, to fix to the box, yellow



V53583
18-module removable pipe clamp flange useful for 54- and 72-module consumer units vertical installation, to fix to the box, yellow



V53597
Metal lock with key. Supplied with 2 keys



V53599
Blank strip for consumer unit, 500 mm length, white



V53598
Blank module 4 modules DIN consumer unit, white

Terminal block holder for IP40 flush mounting consumer units



V53561
Terminal block holder for 8-module consumer units, to fix to the box, grey



V53562
Terminal block holder for 12-, 24- and 36-module consumer units, to fix to the box, grey



V53563
Terminal block holder for 54- and 72-module consumer units, to fix to the box, grey



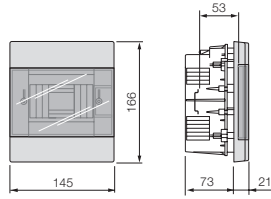
V53552
Screw terminal block with 6 holes for consumer unit, to insert cable conduits from 1,5 mm² to 16 mm² diameter, snap fixing to the terminal block support, blue



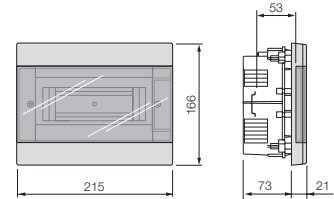
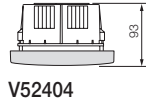
V53552.V
Screw terminal block with 6 holes for consumer unit, to insert cable conduits from 1,5 mm² to 16 mm² diameter, snap fixing to the terminal block support, green

Consumer units

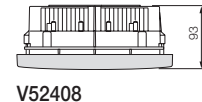
IP40 flush mounting consumer units with vertically hinged door



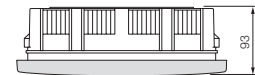
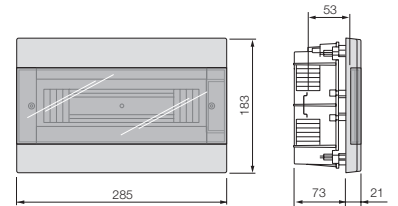
Δ V52404
4 modules, delivered with DIN rail (60715 TH35), RAL 9003 white, with transparent door, fumé.
Dissipated power: 14 W



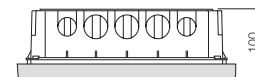
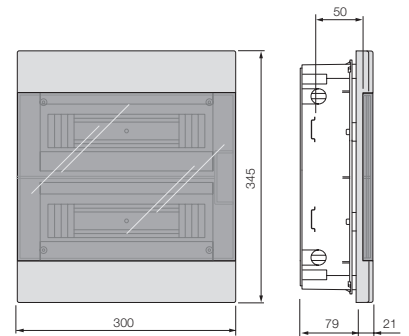
Δ V52408
8 modules, delivered with DIN rail (60715 TH35), RAL 9003 white, with transparent door, fumé.
Dissipated power: 19 W



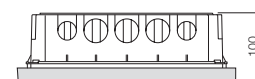
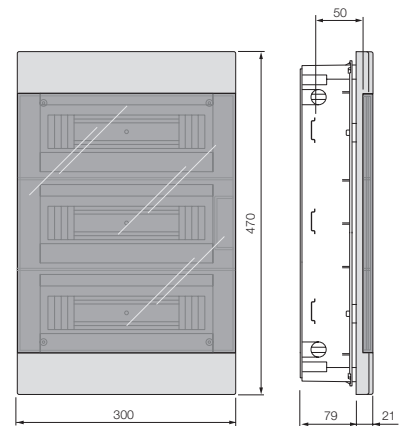
Δ V52412
12 modules, delivered with DIN rail (60715 TH35), RAL 9003 white, with transparent door, fumé.
Dissipated power: 28 W



Δ V52424
24 modules, delivered with DIN rail (60715 TH35), RAL 9003 white, with transparent door, fumé.
Dissipated power: 58 W



Δ V52436
36 modules, delivered with DIN rail (60715 TH35), RAL 9003 white, with transparent door, fumé.
Dissipated power: 68 W

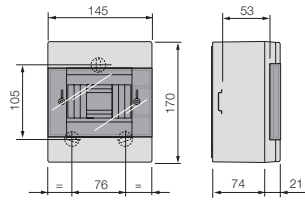


Consumer units

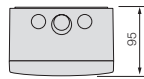
IP40 surface mounting consumer units



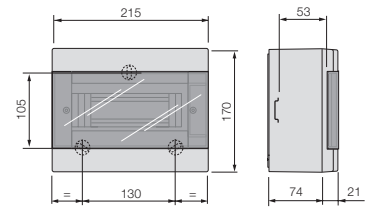
V50405
5 (4+1) modules, top and bottom knockouts, with DIN rail (60715 TH35), RAL 7035 grey, with transparent door, fumé. Dissipated power: 9 W



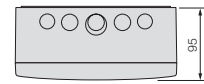
V50405



V50408
8 modules, top and bottom knockouts, with DIN rail (60715 TH35), RAL 7035 grey, with transparent door, fumé. Dissipated power: 12 W



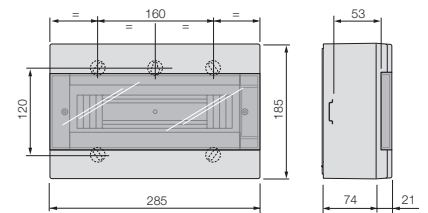
V50408



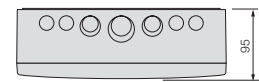
V50412
12 (12+1) modules, top and bottom knockouts, with DIN rail (60715 TH35), RAL 7035 grey, with transparent door, fumé. Dissipated power: 18 W



V50312
12 (12+1) modules, undrilled walls, with DIN rail (60715 TH35), RAL 7035 grey. Dissipated power: 19 W



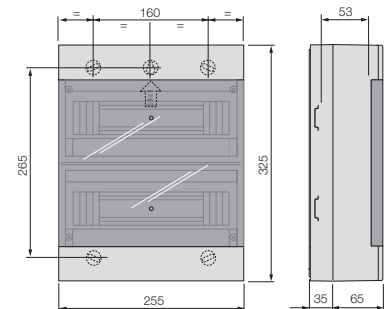
V50312
V50412



V50424
24 modules, top and bottom knockouts, with DIN rail (60715 TH35), RAL 7035 grey, with transparent door, fumé. Dissipated power: 31 W



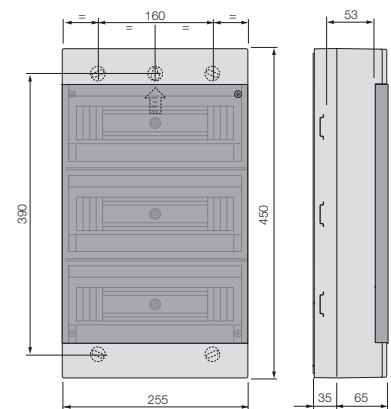
V50324
24 modules, undrilled walls, with DIN rail (60715 TH35), RAL 7035 grey. Dissipated power: 37 W



V50324
V50424



V50436
36 modules, top and bottom knockouts, with DIN rail (60715 TH35), RAL 7035 grey, with transparent door, fumé. Dissipated power: 37 W



V50436

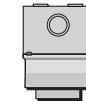
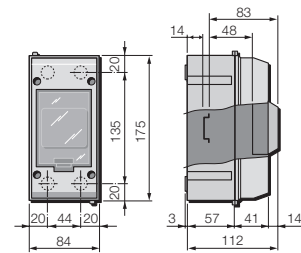


Consumer units

IP55 surface mounting consumer units with horizontally hinged door



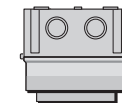
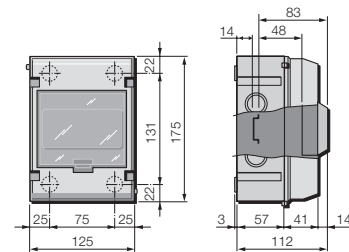
V51003
3 (1+2) modules, with screwcaps for double insulation, with DIN rail (60715 TH35), RAL 7035 grey, with transparent door, fumé. Dissipated power: 9 W



V51003



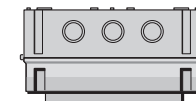
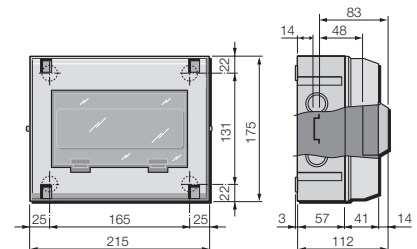
V51005
5 (4+1) modules, with screwcaps for double insulation, with DIN rail (60715 TH35), RAL 7035 grey, with transparent door, fumé. Pre-set for 2 supports for earth terminal blocks V51853. Dissipated power: 12 W



V51005



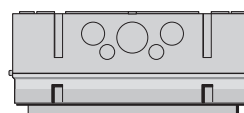
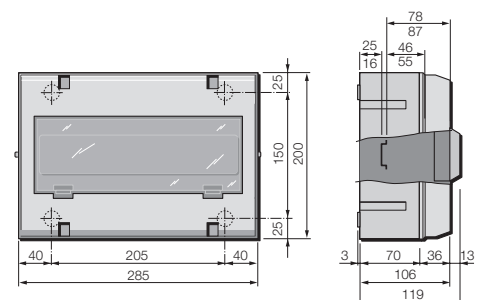
V51008
8 modules, with screwcaps for double insulation, with DIN rail (60715 TH35), RAL 7035 grey, with transparent door, fumé. Dissipated power: 21 W



V51008



V51012
12+1 modules, with screwcaps for double insulation, with DIN rail (60715 TH35), RAL 7035 grey, with transparent door, fumé. Dissipated power: 26 W



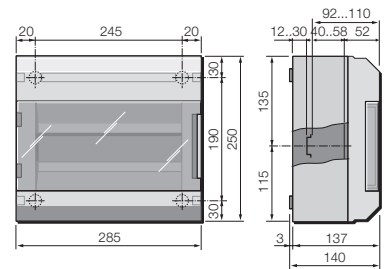
V51012

Consumer units

IP55 surface mounting consumer units with vertically hinged door



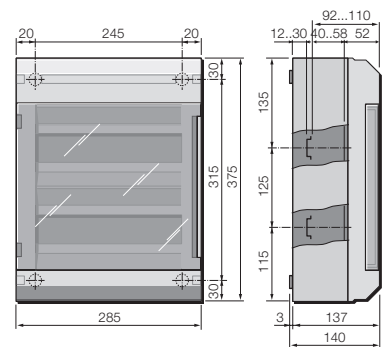
V51112
12 modules, with adjustable DIN rail (60715 TH35) to accommodate non-standard products, RAL 7035 grey, with transparent door and screwcaps for double insulation. Dissipated power: 21 W



V51112



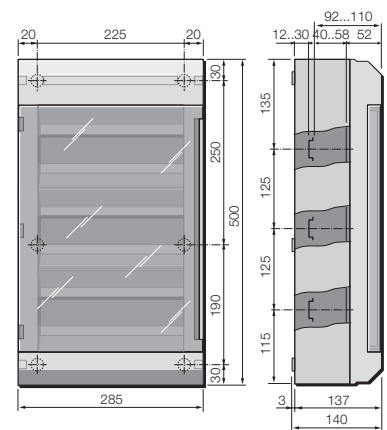
V51124
24 modules, with adjustable DIN rail (60715 TH35) to accommodate non-standard products, RAL 7035 grey, with transparent door and screwcaps for double insulation. Dissipated power: 27 W



V51124



V51136
36 modules, with adjustable DIN rail (60715 TH35) to accommodate non-standard products, RAL 7035 grey, with transparent door and screwcaps for double insulation. Dissipated power: 32 W



V51136

Consumer units

Supports on DIN (60715 TH35) rail installation



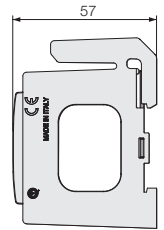
V51921
1-module, occupies 1,5 17,5 mm modules, RAL 7035 grey.
Provided with isolating lining



V51922
2-module, occupies 3 17,5 mm modules, RAL 7035 grey.
Provided with isolating lining



V51923
3-module, occupies 4 17,5 mm modules, RAL 7035 grey.
Provided with isolating lining



V51921
V51922
V51923

Brass earth terminal blocks, with fixing screws



V51808
2 \varnothing 6 mm terminals
+ 6 \varnothing 4 mm terminals



V51810
2 \varnothing 6 mm terminals
+ 8 \varnothing 4 mm terminals

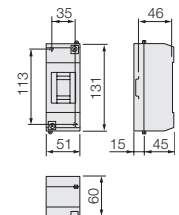


V51816
4 \varnothing 6 mm terminals
+ 13 \varnothing 4 mm terminals

IP40 surface mounting cover



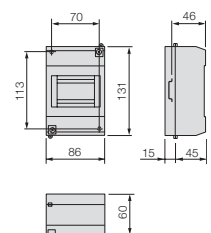
V50002
2 (1+1) modules,
RAL 7035 grey.
Dissipated power: 5 W



V50002



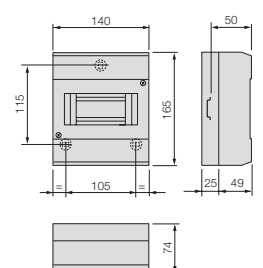
V50004
4 (3+1) modules,
RAL 7035 grey.
Dissipated power: 7 W



V50004



V50006
6 (4+2) modules,
RAL 7035 grey.
Dissipated power: 12 W



V50006

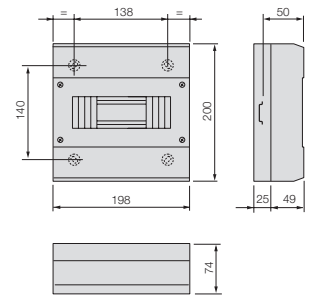
Consumer units

IP40 surface mounting cover



V50008

8 (4+4) modules,
RAL 7035 grey.
Dissipated power: 21 W



V50008

Number and type of knockouts on surface consumer units and cover

Article	ø opening (mm)	19	20	23	29	37	16 or 25	20 or 32	25 or 32	32 or 40	23 or 29	29 or 37	Knockout positions
		PG cut-outs	11	13,5	16	21	29	---	---	---	---	16 or 21	
V50002	front and back	---	---	n 2	---	---	---	---	---	---	---	---	
V50004	sides	---	---	n 2	---	---	---	---	---	---	---	---	
V50006	front and back	---	---	---	---	---	---	n 6	---	---	---	---	
	sides	---	---	---	---	---	---	n 4	---	---	---	---	
V50008	front and back	---	---	---	---	---	---	n 4	---	n 2	---	---	
	sides	---	---	---	---	---	---	n 4	---	---	---	---	
V50405	front and back	---	n 4	---	---	---	---	---	---	---	n 2	---	
	sides	---	---	---	---	---	---	---	---	---	---	---	
V50408	front and back	---	n 4	n 4	---	---	---	---	---	---	n 2	---	
	sides	---	---	---	---	---	---	---	---	---	---	---	
V50412	front and back	---	n 8	---	---	---	---	---	---	---	n 4	n 2	
	sides	---	---	---	---	---	---	---	---	---	---	---	
V50424	front and back	---	---	---	---	---	n 4	n 4	n 2	---	---	---	
	sides	---	---	---	---	---	---	---	---	---	---	---	
V50436	front and back	---	---	---	---	---	n 4	n 4	n 2	---	n 4	---	
	sides	---	---	---	---	---	---	---	---	---	---	---	
V51003	front and back	---	---	---	---	---	---	---	---	---	n 2	---	
	sides	---	---	---	---	---	---	---	---	---	---	---	
V51005	front and back	---	---	---	---	---	---	---	---	---	n 4	---	
	sides	---	---	---	---	---	---	---	---	---	n 4	---	
V51008	front and back	---	---	---	---	---	---	---	---	---	n 6	---	
	sides	---	---	---	---	---	---	---	---	---	n 4	---	
V51012	front and back	n 4	---	---	n 4	n 2	---	---	---	---	---	---	
	sides	---	---	---	---	---	---	---	---	---	---	---	
V51112	front and back	---	---	---	---	---	---	---	---	---	n 8	n 2	
	sides	---	---	n 4	---	---	---	---	---	---	---	---	

Note. No knockouts on surface consumer units without door.

B.C21034 EN 2107
8 007352 679689

Energia Positiva. Insieme

